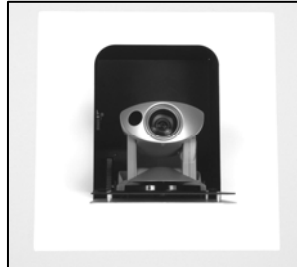
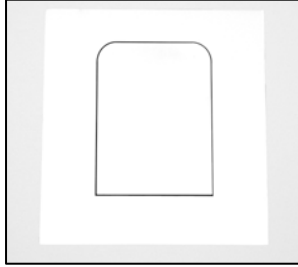


## WallVIEW™ 50i PTZ HideAway

Installed PTZ Wall Camera with Recessed, Motorized In-wall Camera Lift System



### INTRODUCTION

The Vaddio WallVIEW 50i PTZ HideAway Camera System is a mechanically unique and complete product that was designed to provide system integrators with an easy to install, in-wall, recessed and motorized camera lift system for use when cameras require concealment for security or architectural design purposes. The WallVIEW 50i features the Canon® VC-C50i pan/tilt/zoom camera which is mounted in a recessed plenum rated enclosure with a motorized front panel door. When closed, the WallVIEW HideAway enclosure conceals the camera until the camera is activated, then the front door drops down and reveals the camera to the meeting room participants.

The system is equipped with Vaddio's EZCamera™ Cabling System. This allows the integrator to use Cat. 5 cabling to run power and video together on a single Cat.5 and camera control on a second Cat. 5 run. The VISCA control interface is included to allow the camera to work with any other VISCA compatible control device. The PowerRite™ power supply regulates the right amount of power needed for the camera over the Cat. 5 cabling.

### INTENDED USE

Before operating the Vaddio WallVIEW 50i PTZ HideAway, please read the entire manual thoroughly. The camera system was designed, built and tested for use indoors and with the provided power supply. The use of a power supply other than the one provided or outdoor operation has not been tested and could damage the camera and/or create a potentially unsafe operating condition.

### SAVE THESE INSTRUCTIONS

The information contained in this manual will help you install and operate your Vaddio WallVIEW 50i PTZ HideAway. If these instructions are misplaced, Vaddio keeps copies of Specifications, Installation and User Guides and most pertinent product drawings for the Vaddio product line on the website. These documents can be downloaded from [www.vaddio.com](http://www.vaddio.com) free of charge.

## IMPORTANT SAFEGAURDS



Read and understand all instructions before using. Do not operate the camera if the camera has been dropped or damaged. In this case, a Vaddio technician must examine the appliance before operating. To reduce the risk of electric shock, do not immerse in water or other liquids and avoid extremely humid conditions.

Use only the power supply provided with the WallVIEW 50i HideAway camera system. Use of any unauthorized power supply will void any and all warranties.

## UNPACKING

Carefully remove the device and all of the parts from the packaging. Unpack and identify the following parts:

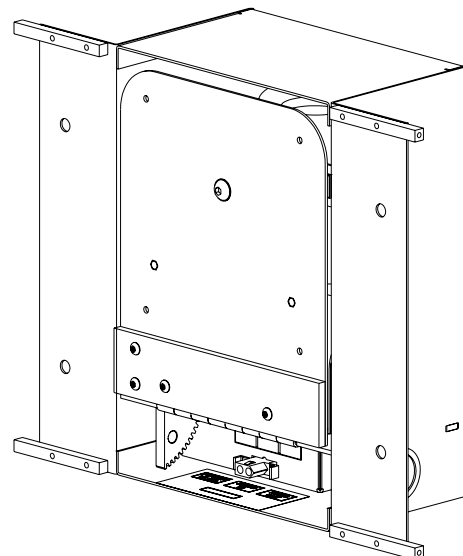
- One (1) WallVIEW 50i PTZ HideAway camera enclosure module
  - Contains Canon VC-C50i Camera inside
- White surrounding trim plate with door cut out
- White door cover plate
- Canon WL-V5 Multifunction IR Remote
- EZCamera Control Adapter
- EZCamera Quick-Connect Box
- Vaddio PowerRite 15 VDC Power Supply and Power Cable
- One (1) 12'/(3.66m) S-Video Cable
- One (1) 12'/(3.66m) Composite Video Cable
- Installation and Users Guide (document 341-141)
- Mounting Template (document 341-156)
- Mounting hardware

## INSTALLATION

The WallVIEW 50i PTZ HideAway is an unique recessed approach to camera system installation. While the camera is easy to install, understanding of the key system components is essential.

The WallVIEW 50i PTZ HideAway is shipped closed and packed securely for transit. Before powering up the camera for the first time, make sure that any tape is removed and the door is not blocked (see Figure 1).

**Figure 1:** Vaddio WallVIEW 50i HideAway enclosure shown with camera lift system (door) closed. RJ-45 connections (for video, power & control) and a closure pair are shown under the lift mechanism. Note conduit knockout on lower right side of camera module backbox (knockout on bottom not shown).



## INSTALLATION (continued)

### Drywall Mounting



The WallVIEW 50i PTZ HideAway is intended for installation into finished drywall and does not require a rough-in kit or partial pre-installation. The pre-wire requirement is for up to three (3) Cat. 5 cables; one Cat. 5 for Video and Power, one for RS-232 Input and one for RS-232 Output if required. The cables can be pre-wired or cabled at the time of installation and is strictly a function of integrator or customer preference, not product requirement.

Marking and cutting the drywall is probably the most challenging part of the whole camera installation. Behind any stud wall, the studs are either 16" or 24" on center (OC) and are either wood or metal. The WallVIEW will fit between either stud configurations.

The following steps should be followed for best installation results:

1. Determine the position of the camera.
  - a. Consider camera height, viewing angles and distances from the subject matter, sight lines, possible temporary obstructions (audience member heads) and the PTZ specifications of the camera.
2. Determine the locations of the studs behind the drywall.
  - a. The camera module can be located between the studs using dry wall toggle bolts (supplied).
  - b. The camera module can alternately be located with one of the camera's mounting flanges over a stud (using appropriate screws for stud type – not supplied) with the opposite side mounting flanges using the supplied toggle bolts.

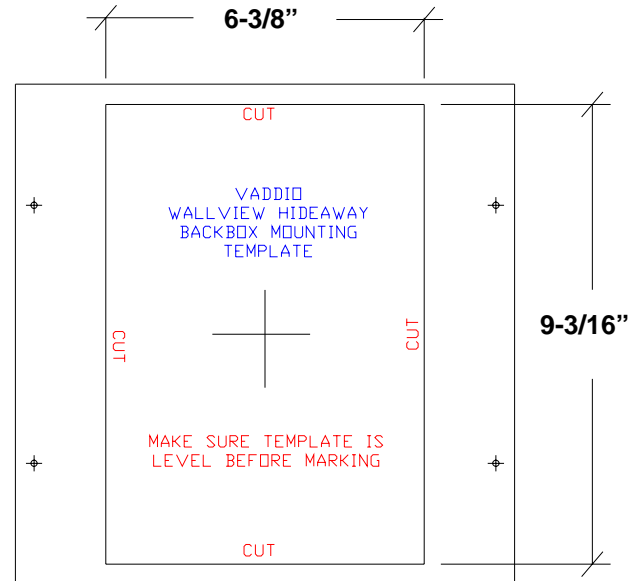
**IMPORTANT:** Ensure that there are NO obstructions such as horizontal studs behind the drywall and verify that there are NO utilities (electrical, gas, water and phone/data) in this drywall area between the studs.

3. With the supplied mounting template (see the provided document 341-156 WallVIEW Template) measure and mark the rough wall opening, (9-3/16"(23.34cm) tall x 6-3/8"(16.2cm) wide, and verify that the template is level. Also mark the four (4) mounting holes in the camera enclosure mounting flanges on both sides of the camera module.
  - a. Verify positioning of camera before cutting the drywall.
4. Cut rough opening in sheetrock (or direct qualified drywall installer to cut opening).
5. Carefully slide camera module into the wall opening, and with mounting flanges against the wall and the camera module level, verify the four mounting screw locations while leveling the camera.
6. Remove the camera module from the wall and drill the four 5/8" (1.59cm) holes for the supplied toggle bolts (see Figure 2).

## Mounting Template

**Figure 2:**  
WallVIEW 50i HideAway  
backbox mounting template (not  
to scale)\*  
\*Use printed template 341-156  
provided with manual.

Note: Level template prior to  
cutting drywall.

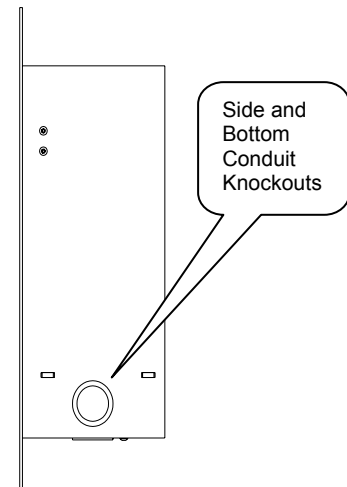


## Cabling

- The Cat. 5 cabling can be routed in the wall cavity at this time. Please check with your local municipalities for local building codes as some cities like Chicago and New York require conduit for all cabling. For this reason, the WallVIEW 50i PTZ HideAway is equipped with a conduit knockout for either routing cables through into the wall cavity or for the attachment of conduit where required (see Figure 3).

**Figure 3:**  
Side view of WallVIEW 50i  
PTZ HideAway

**Note:** Conduit knockout on  
side and bottom of camera  
module that leads to Cat. 5  
interface connections inside  
the module.



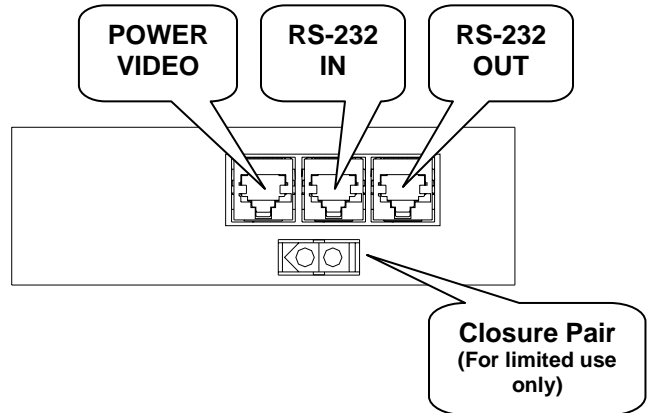
- Remove the conduit knockout(s) and pull the Cat. 5 cables for Power/Video and RS-232 (one for RS-232 Input & one for RS-232 Output if used in a daisy-chained control configuration) in the wall cavity through the conduit knockout to the Cat. 5 cable interface module in the bottom of the camera module enclosure. Connect the power and video Cat. 5 to the RJ-45 jack labeled POWER VIDEO and the corresponding RS-232 control Cat. 5

**Connection**

cables to the RS-232 IN (from ControlVIEW Xtreme or control system) and RS-232 OUT (to the next Vaddio VISCA controlled camera product in the control chain). A closure pair (voltage sensing) is also provided to control the opening of the WallVIEW 50i PTZ HideAway independent of the IR remote controller provided with the system. To take advantage of this feature, an additional two-conductor cable is a requirement (see Figure 4).

**Figure 4:**  
Cat. 5 connections and closure pair in camera module (under camera)

Note: The closure pair opens the WallVIEW camera door when the camera is off and has power available ONLY. The closure pair will not raise the camera.



**Camera Mounting**

9. Using the four (4) ¼" x 2" supplied toggle screws, insert the screws through the front of the mounting flange's mounting holes and secure the toggles to the screws but only turn two or three threads. Verify that the toggles open toward the back of the mounting flange. Carefully insert the camera module backbox with attached cables into the drywall-mounting hole aligning the toggle bolts and press firmly and completely into the wall. Tighten the four mounting screws securely but do not over tighten.

**Connection**

10. Connect the Cat. 5 cable from the WallVIEW 50i PTZ HideAway POWER/VIDEO Jack to the supplied Vaddio Quick-Connect Box. This single Cat. 5 cable is broken out to the following connections (see Figure 5):
  - S-Video Output
  - Composite Video Output
  - Power Supply Input



**Figure 5:**  
Vaddio Quick-Connect Box for power and video breakout

- Note: Rack mountable Quick-Connect bracket is available as an option.

**Connection  
(continued)**

11. Connect the video outputs from the Quick-Connect Box (S-Video, Composite Video, or Both) to the video input(s) of the video device(s) of choice (ControlVIEW Xtreme, codec, monitor, switcher, etc...).

**Initial  
Camera  
Activation**

12. To power up the camera for the first time, connect the supplied 15 VDC power supply to the Quick-Connect Box. The door of the camera module will open and the Canon VC-C50i camera will be lowered and “home” into operating position.

13. Remove all foam inserts and packing material inside of the camera module and inspect the camera for integrity and connections. The S-Video or Composite Video outputs can be viewed, tested and verified for signal strength and integrity.

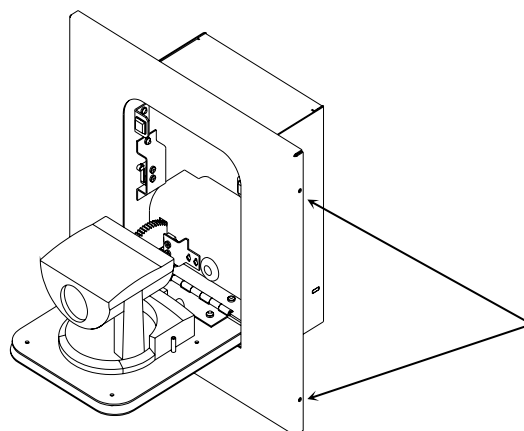
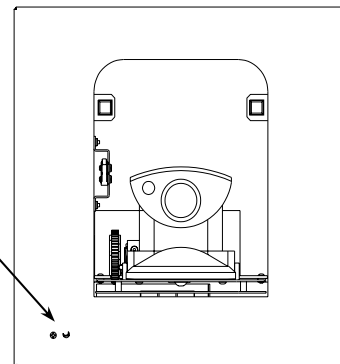
**Attaching  
Trim Plates**

14. Attach the door trim plate with the four (4) supplied screws making sure not to over tighten the screws. . The camera must be lowered into down position to attach the door trim plate.

15. Plug in the IR Sensor cable to the IR Sensor mounted to the back of the surrounding trim plate (see Figure 6). Next, attach the surrounding camera module trim plate with the four (4) supplied screws. These screws are attached through the sides of the trim plate return flange into the blocks mounted on the front of the camera module mounting flanges (see Figure 7). Position the surrounding trim plate to provide an even gap between the door trim plate and the surrounding trim plate. Again, do not over tighten screws or damage may result.

**Figure 6:**  
Front view of WallVIEW 50i  
HideAway

Note location of IR Sensor  
on front of surrounding trim  
plate.



**Figure 7:**  
Side view of WallVIEW 50i  
HideAway with surrounding  
trim plate

Note location of side  
mounting screws (do not  
over tighten)

**Operating  
the Camera**

16. After the initial power up, the WallVIEW 50i PTZ HideAway can be opened and closed with the supplied Canon WL-V5 IR Remote controller or by the ON/OFF RS-232C commands on page 9. To open and close the camera with the IR Remote, press the on/off button marked in green (see Figure 8).

**Figure 8:**  
Canon WL-V5 Remote and  
Universal On/Off button

The WallVIEW 50i will respond to all of the WL-V5 remote commands with the On/Off button opening and closing the WallVIEW.  
On = Open  
Off = Closed



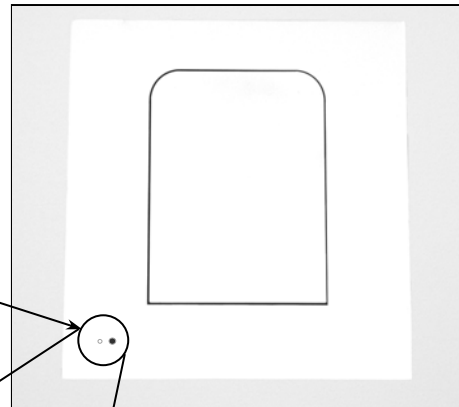
**Installation  
Complete**

17. The installation of the Vaddio WallVIEW 50i PTZ HideAway is now complete. With a soft cloth, please dust the exposed surfaces of the product (avoid the camera lens) to remove any sheetrock dust or other construction materials. Both WallVIEW trim plates are painted an unobtrusive white painted finish. The trim plates can be painted to match any décor (see Figure 9).

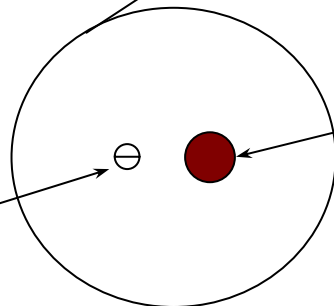
**Figure 9:**  
The Vaddio WallVIEW 50i  
HideAway shown closed.

Note: The door and surrounding trim plates are paintable to match the décor in any room.

Important Note:  
Mask or Remove the IR Sensor  
prior to painting the surrounding  
trim plates. Re-install IR Sensor  
after paint has dried completely.



White nylon screw  
(nylon nut on  
backside) attaches  
IR Sensor to the  
surrounding trim  
plate.



IR Sensor: Relays IR  
signals from IR Remote  
to the camera with the  
door closed. Painting  
the sensor will block the  
IR from reaching the  
camera. Mask or  
remove the IR Sensor  
prior to painting trim.

## CONTROLLING THE CAMERA

### \*Control Disclaimers

The Camera can be controlled with the Canon WL-V5 IR Remote Controller or through RS-232 using VISCA control protocols. Vaddio's unique approach to camera control takes advantage of the VISCA control allowing the WallVIEW 50i PTZ HideAway (with the Canon VC-C50i internal) to respond flawlessly to many mainstream controllers/joysticks with built-in Sony VISCA control Protocol.

The IR signals transmitted by the Canon IR Remote are intercepted by Vaddio circuitry and are translated to RS-232 codes that the Canon VC-C50i camera can understand. Furthermore, the VISCA control codes sent to the camera are also translated into RS-232 that the Canon VC-C50i understands. The Canon VC-C50i can accept either RS-232 control or IR codes for operation, but not both at the same time. Again, Vaddio's approach only uses RS-232 communication to control the camera through the translation of both the VISCA protocol and Canon IR into RS-232 so both the IR and RS-232 can be used simultaneously.

When using the WallVIEW 50i PTZ HideAway with an external Codec (Polycom®, TANDBERG® etc...), the codecs typically control the cameras directly using VISCA RS-232 commands if no external control system is used. However, these codecs don't have the ability to command the WallVIEW 50i PTZ HideAway camera to open and close since the codecs don't have the ability to communicate the VISCA RS-232 commands of CAMERA ON and CAMERA OFF. These codes are not programmed into the codecs. While the codecs can control the pan, tilt and zoom functions of the WallVIEW 50i PTZ HideAway camera, the camera will remain open at all times, essentially defeating the purpose of the HideAway motorized feature. Therefore, it is recommended that the WallVIEW 50i PTZ HideAway be used with the IR Remote it is shipped with, Vaddio ControlVIEW Xtreme or ProductionVIEW, the Vaddio/Sony Joystick bundle or an external control system (i.e. Crestron®/AMX®) or any system that can communicate the VISCA RS-232 ON/OFF commands. If FEC (Far End Camera) control is required in the customer's configuration, take the camera RS-232 out from the codec into the programmable control system, intercept the Near and Far end pan/tilt/zoom camera commands from the codec and forward these commands to the WallVIEW 50i PTZ HideAway and then simply add an ON/OFF button for the camera on the control system panel.

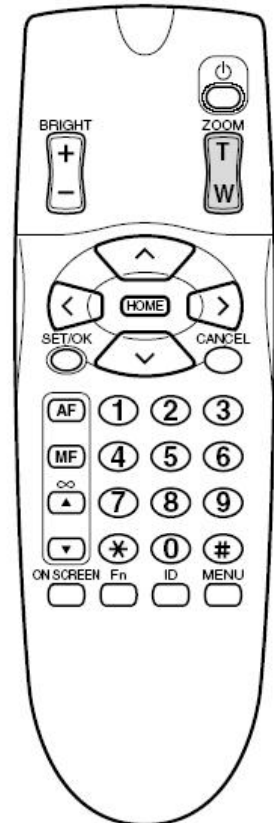
With any language, not all commands are specifically translatable from one manufacturer to another. The Canon WL-V5 IR Remote Controller controls the following functions when used with a WallVIEW 50i PTZ HideAway (see Figure 10).

### IR Control Commands

**Figure 10:**

The active Canon WL-V5 IR Remote control commands are as follows:

- 1) Power on/off
  - a. On = lowers camera door
  - b. Off = Homes the camera and closes the camera door
- 2) Brightness: Up/Down
- 3) Zoom: Tele (in)/Wide (out)
- 4) Pan: Left, Right, Up, Down
- 5) Home: Home/Centered Position
- 6) Set/OK: For setting camera presets
- 7) Cancel: Not Used
- 8) AF: Auto Focus On
- 9) MF: Manual Focus On
  - ∞ Lengthens the focal distance
  - ▼ Shortens the focal distance
- 10) Keypad: 0 through 9 for assigning presets, \* and # not used
- 11) On Screen: Not used
- 12) Fn: Not used
- 13) ID: Not used
- 14) MENU: Not used





**RS-232  
COMMAND LIST**

Vaddio supplies this control specification for the WallVIEW 50i PTZ HideAway camera. A derivate of the VISCA control set (as used in Sony EVI cameras) is used in conjunction with control translation to ensure interoperability with other manufacturers using the VISCA protocol for control purposes.

**Communication  
Specification**

Communication Speed: 9600 bps  
 Start bit: 1  
 Stop bit: 1  
 Data bits: 8  
 Parity: None  
 MSB First

\*Communication Example:  
 For the VISCA Packet "8x 01 04 07 03 FF"  
 (CAM\_Zoom\_Wide), x corresponds with the  
 number and order of the camera in the control  
 chain (daisy chain) where x = 1 for the first  
 camera, x = 2 for the second camera, etc...

**Command List**

COMMAND SET	COMMAND	VISCA PACKET*	COMMENTS
Address Set	broadcast	88 30 01 FF	Send Address_set command and IF_clear command before starting communication
IF_Clear	broadcast	88 01 00 01 FF	
CAM_Power	ON	8x 01 04 00 02 FF	<b>ON - Opens Camera Door OFF - Closes Camera Door</b>
	OFF	8x 01 04 00 03 FF	
CAM_Zoom	Stop	8x 01 04 07 00 FF	Z: Speed Parameter, 2 (Low) to 7 (High)  ZZZZ: Zoom Data, 0000 Wide to 03ff (Tele)
	Tele (Std)	8x 01 04 07 02 FF	
	Wide (Std)	8x 01 04 07 03 FF	
	Tele (Variable)	8x 01 04 07 2Z FF	
	Wide (Variable)	8x 01 04 07 3Z FF	
	Direct	8x 01 04 47 0Z 0Z 0Z 0Z FF	
CAM_Focus	Stop	8x 01 04 08 00 FF	Focus Control. When focus adjusted, change the node to Manual than send Far/Near or Direct command
	Far	8x 01 04 08 01 FF	
	Near	8x 01 04 08 02 FF	
	Auto Focus on	8x 01 04 08 03 FF	
	Manual Focus on	8x 01 04 08 04 FF	
CAM_WB	Auto	8x 01 04 35 00 FF	White Balance Setting. Indoor/Outdoor: Fixed at Factory Pull-in to white with a trigger then hold the data until next trigger
	Indoor mode	8x 01 04 35 01 FF	
	Outdoor mode	8x 01 04 35 02 FF	
	OnePush mode	8x 01 04 35 03 FF	
CAM_Backlight	On	8x 01 04 33 02 FF	Back light compensation Gain up to 6 dB max
	Off	8x 01 04 33 03 FF	
CAM_Memory	Set	8x 01 04 3F 01 0Z FF	Preset memory for camera location, Z=0 to 5. 6 positions total
	Recall	8x 01 04 3F 02 0Z FF	
Pan-Tilt Drive	UP	8x 01 06 01 VV WW 03 01 FF	VV: Pan speed 01 to 18 WW: Tilt speed 01 to 14 YYYY: Pan position: approx. FC90 to 0370 (center 000) ZZZZ: Tilt position: approx. FED4 to 012C (center 000)
	Down	8x 01 06 01 VV WW 03 02 FF	
	Left	8x 01 06 01 VV WW 01 03 FF	
	Right	8x 01 06 01 VV WW 02 03 FF	
	UpLeft	8x 01 06 01 VV WW 01 01 FF	
	UpRight	8x 01 06 01 VV WW 02 01 FF	
	DownLeft	8x 01 06 01 VV WW 01 02 FF	
	DownRight	8x 01 06 01 VV WW 02 02 FF	
	Stop	8x 01 06 01 VV WW 03 03 FF	
	Absolute Posititon	8x 01 06 01 VV WW 0Y 0Y 0Y 0Y 0Z 0Z 0Z 0Z FF	
	Home	8x 01 06 04 FF	



**Inquiry  
Command**

Inquiry	Packet Inquiry	Packet Reply	Description
CAM_Powering	8x 09 04 00 FF	Y0 50 02 FF	On
		Y0 50 03 FF	Off
CAM_ZoomPosInq	8x 09 04 47 FF	Y0 50 0Z 0Z 0Z 0Z FF	ZZZZ: position
CAM_FocusAFModelInq	8x 09 04 38 FF	Y0 50 02 FF	Auto
		Y0 50 03 FF	Manual
CAM_FocuPosInq	8x 09 04 48 FF	Y0 50 0Z 0Z 0Z 0Z FF	ZZZZ: position
CAM_BacklightModelInq	8x 09 04 33 FF	Y0 50 02 FF	On
		Y0 50 03 FF	Off
Pan-tiltPosInq	8X09 06 12 FF	Y0 50 0W 0W 0W 0W 0Z	WWWW: pan
		0Z 0Z 0Z FF	ZZZZ: tilt

**CARE AND  
CLEANING**

Do not attempt to take the camera module apart (other than for the reasons stated in the manual). There are no user-serviceable components inside.

- Do not spill liquids onto the camera
- Keep this device away from food and liquid
- Avoid touching the lens
- For smears or smudges, clear any dust with a blower and wipe stains with a glass cleaner and clean, soft cloth.
- To clean exterior of camera, wipe with a clean soft cloth. Do not use any abrasive chemicals.

**OPERATING  
AND STORAGE  
CONDITIONS**

Do not store or operate the WallVIEW 50i PTZ HideAway under the following conditions for any circumstance:

- Temperatures above 40°C (104°F)
- Temperatures below 0°C (32°F)
- High humidity, condensing or wet environments
- Dusty environments
- In inclement weather
- Under severe vibration



## SPECIFICATIONS

<b>Optics</b>	Lens Configuration: Focal Length & F #: Zoom: Focus Region: Marginal Illumination Ratio:	Nine (9) groups of Eleven (11) lens 3.5mm to 91mm; F1.6 to F4.0 26x (at infinite) optical, 12x digital, 312x total Wide 0.01m to ∞, Telephoto: 1.6m to ∞ 30% over
<b>Imaging</b>	Imaging Sensor: Total Pixels:  Color Separating System: Electronic Shutter Speed:  Minimum Illumination:	1/4" Color CCD NTSC - 630K total (340K effective) PAL - 740K total (400K effective) Secondary Mosaic Filter System NTSC 1/80,000 - 1/60 - 1/1 sec PAL 1/80,000 - 1/50 - 1/1 sec 1 Lux (visible light mode, 1.30 electric shutter speed)
<b>Video</b>	Color System: Luminance Signal S/N Ratio* Horizontal Resolution: Scanning System: White Balance: Exposure: Focus:	NTSC or PAL (depending on country of use) 48 dB 460 TV Lines Interlace Auto/Manual Auto/Manual Auto/Manual
<b>Mechanical</b>	Pan Angle Range: Tilt Angle Range: Presets: Physical I/O Camera Module: Quick-Connect Box:	+/-100° +90° (+30° default) / -30° Nine (9) 3 – RJ-45 jacks (Power/Video, RS-232 In & Out) RJ-45 from Camera Module RCA-F for Composite Video Output 4-Pin Din - F for S-Video Output Round Power Receptacle for 15V Input
<b>Regulation</b>	Voltage of Operation: Power Consumption: Power Supply:	15 VDC (with AC adapter) 12 W (door opening) 100V– 240V Switcher
<b>Other</b>	Operating Temperature: Safety:  Dimensions: Mounting Flange Back Box Wall Opening: Surrounding Trim Ring Weight:  Supplied Accessories:	Between 32°F (0°C) and 104°F (40°C) Integrated NoPinch™ safety mechanism for automatic stop of door opening or closing when an obstruction is detected  9.125" Height x 10.75" Wide (23.18cm x 27.3cm) 9.125" H x 6.375" W x 4" D (23.2 x 16.2cm x 10.1cm) 9-3/16" H x 6-3/8" W (23.34cm x 16.2cm) 12" H x 12" W (30.38cm x 30.48cm) Approx. 5.5 lbs. (2.5 kg)  Canon WL-V5 Multifunction IR Remote EZCamera Control Adapter EZCamera Quick-Connect Box 15 VDC Power Supply and Cable One (1) 15'/(1.46m) S-Video Cable One (1) 15'/(1.46m) Composite Video Cable Installation and User Guide Mounting template and mounting hardware



## WARRANTY INFORMATION

**Hardware\* Warranty** - One year limited warranty on all parts. Vaddio warrants this product against defects in materials and workmanship for a period of one year from the day of purchase if Vaddio receives notice of such defects during the warranty. They will, at its option, repair or replace products that prove to be defective.

**Exclusions** - The above warranty shall not apply to defects resulting from: improper or inadequate maintenance by the customer, customers applied software or interfacing, unauthorized modifications or misuse, operation outside the normal environmental specifications for the product, use of the incorrect power supply, or improper site operation and maintenance.

**Vaddio Customer service** – Vaddio will test, repair, or replace the product or products without charge if the unit is under warranty. If the product is out of warranty, Vaddio will test then repair the product or products. The cost of parts and labor charge will be estimated by a technician and confirmed by the customer prior to repair. All components must be returned for testing as a complete unit. Vaddio will not accept responsibility for shipment after it has left the premises.

**Vaddio Technical support** - Vaddio technicians will determine and discuss with the customer the criteria for repair costs and/or replacement. Vaddio Technical Support can be contacted through one of the following resources: e-mail support at [support@vaddio.com](mailto:support@vaddio.com) or online at [www.vaddio.com](http://www.vaddio.com).

**Return Material Authorization (RMA) number** - Before returning a product for repair or replacement request an RMA from Vaddio's technical support. Provide a technician with a return phone number, e-mail address, shipping address, and product serial numbers. Describe the reason for repairs or returns as well as the date of purchase. Include your assigned RMA number in all correspondence with Vaddio. Write your assigned RMA number on the outside of the box when returning the product.

**Voided warranty** – The warranty does not apply if the original serial number has been removed or if the product has been disassembled or damaged through misuse, accident, modifications, or unauthorized repair.

**Shipping and handling** - Vaddio will not pay for inbound shipping transportation or insurance charges or accept any responsibility for laws and ordinances from inbound transit. Vaddio will pay for outbound shipping, transportation, and insurance charges all items under warranty but will not assume responsibility for loss and/or damage by the outbound freight carrier.

- If the return shipment appears damaged, retain the original boxes and packing material for inspection by the carrier.
  - Contact your carrier immediately.

**Products not under warranty** - Payment arrangements are required before outbound shipment for all out of warranty products.

\*Vaddio manufactures its hardware products from parts and components that are new or equivalent to new in accordance with industry standard practices.



**COMPLIANCE**



**FCC Part 15/ICES-003 Compliance**

This equipment has been tested and found to comply with the limits for a Class A digital device, pursuant to Part 15 of the FCC rules and Industry Canada ICES-003. These limits are designed to provide reasonable protection against harmful interference when the equipment is operated in a Commercial environment. This equipment generates, uses, and can radiate radio frequency energy and, if not installed and used in accordance with the instruction manual, may cause harmful interference to radio communications. Operation of this equipment in a residential area is likely to cause harmful interference, in which case the user will be required to correct the interference at his/her own expense.

Operation is subject to the following two conditions: (1) This device may not cause interference, and (2) This device must accept any interference including interference that may cause undesired operation of the device. Changes or modifications not expressly approved by Vaddio could void the user's authority to operate the equipment.

**European Compliance**

This equipment has been approved in accordance with Council Directive 1999/5/EC "Radio Equipment and Telecommunications Equipment". Compliance of the equipment with the Directive is attested by the application of the CE mark on the equipment.

**EC Declaration of Conformity**

Application of Council Directive(s): 1999/5/EC Radio equipment and Telecommunications Terminal Equipment (R&TTE) Directive

Manufacturer's Name: Vaddio, A Division of Photo Control  
Manufacturer's Address: 4800 Quebec Avenue North, Minneapolis, MN 55428 USA

Model: WallVIEW 50i PTZ HideAway  
Model Number: 999-4404-000 for NTSC  
999-4404-001 for PAL

**Standard(s) to which Conformity is declared:  
89/336/EEC "Electromagnetic Compatibility (EMC) Directive":**

EN 55022: 1994 (Emissions)	Specification for limits and methods of measurement of radio interference characteristics of information technology equipment
EN 61000-3-2:1995/A1/A2: 1998	Part 3: Limits - Section 2: Limits for harmonic current emissions.
EN 61000-3-3:1995	Section 3: Limitation of voltage fluctuations and flicker in low voltage supply systems for equipment with rated current up to and including 16 A
EN 55024: 1998 (Immunity)	Information technology equipment – Immunity characteristic
EN 61000-4-2: 1995/A1: 1998	Limits and methods of measurement
EN 61000-4-3: 1996/A1: 1998	Electrostatic Discharge
EN 61000-4-4: 1995	Radiated RF Immunity
EN 61000-4-5: 1995	Electrical Fast Transients
EN 61000-4-6: 1996	Lighting Surge
EN 61000-4-11: 1994	Conducted RF Immunity
	Voltage Dips and Voltage Interruptions



4800 Quebec Avenue North ▪ Minneapolis, MN 55428  
Toll Free: 800-572-2011 ▪ Phone: 971-4400 ▪ FAX: 763-971-4464  
[www.vaddio.com](http://www.vaddio.com)

---

©2006 Vaddio - All Rights Reserved. Reproduction in whole or in part without written permission is prohibited. Specifications and pricing are subject to change without notice. CeilingVIEW, WallVIEW, EZCamera, Quick-Connect and PowerRite are registered trademarks of Vaddio, Inc. All other trademarks are property of their respective owners. Document 341-141 Rev. C.