



Middle Atlantic Products, Inc.

www.middleatlantic.com

96-985 / rev 5 / 2-13-03

SRSR Series Sliding Rail System

EIA Compliant

The SRSR Rotating Sliding Rail System pulls out 19" and rotates 90 degrees to provide convenient rear access to wiring and components

Features

- Pulls out 19" and rotates for equipment servicing
- Simplifies equipment installation in cabinet
- Shortens installation & service time
- Available from 12 space (21") to 24 space (42")
- Available in 19" and 23" useable depths
- Integral cable management system provided
- Ball bearing slides allow smooth rollout
- Locks closed with included hardware



rotates 90°
in either
direction

SRSR-4-16 shown in "pulled-out" position

Architects' and Engineers' Specifications

EIA compliant 19" rotating slide-out equipment rack shall be Middle Atlantic Products model # SRSR-__-__ (refer to chart). Overall dimensions of rack shall be 19.09" W x ___" H x ___" D with ___ useable rackspaces and a ___ lb. weight capacity (refer to chart). Rack shall pull out 19" on integrated ball bearing slides and rotate 90° for equipment servicing. When rotating rack, locking detent shall allow rack to lock in place at 0°, 60° and 90°. Rackrail shall be 11-gauge steel with tapped 10-32 holes in universal EIA spacing. Rackrail shall be finished in black e-coat with marked rackspaces. SRSR rough-in pan shall be 14-gauge steel. Finish on SRSR assembly shall be durable flat black powder coat. Trim/locking panel shall lock SRSR in closed position and be 11-gauge aluminum with brushed black anodized finish.

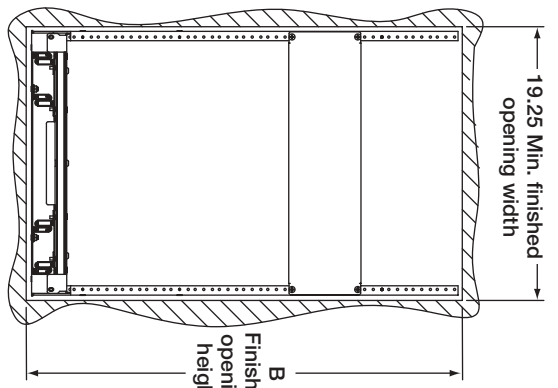
electronic version available at www.middleatlantic.com

Engineered Mounting Solutions for Low Voltage Applications

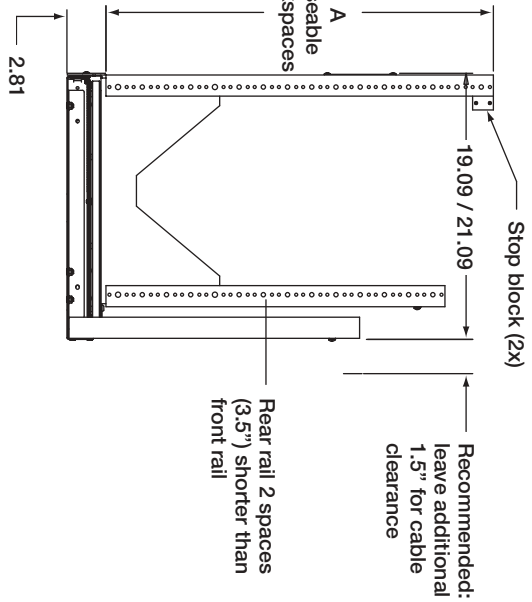
US: Riverdale, NJ ■ Simi Valley, CA ■ Harvey, IL ■ Voice: 973-839-1011 Fax: 973-839-1976 ■ www.middleatlantic.com
Canada: Ottawa, ON ■ Burnaby, BC ■ Voice: 613-836-2501 Fax: 613-836-2690 ■ www.middleatlantic.com

96-985 / rev 5 / 2-13-03 / SRSR Rotating Sliding Rail System

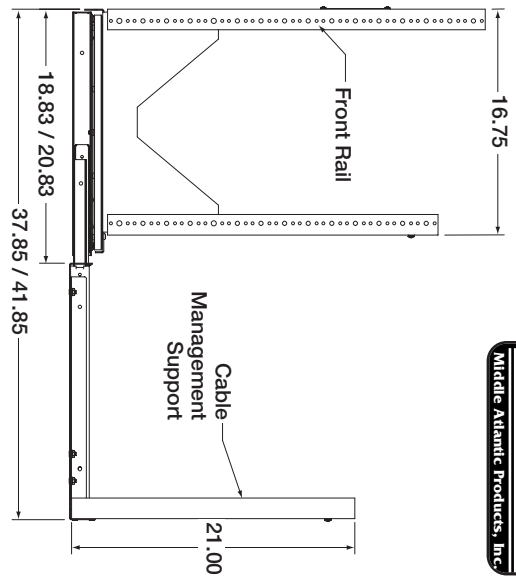
SRSR basic dimensions



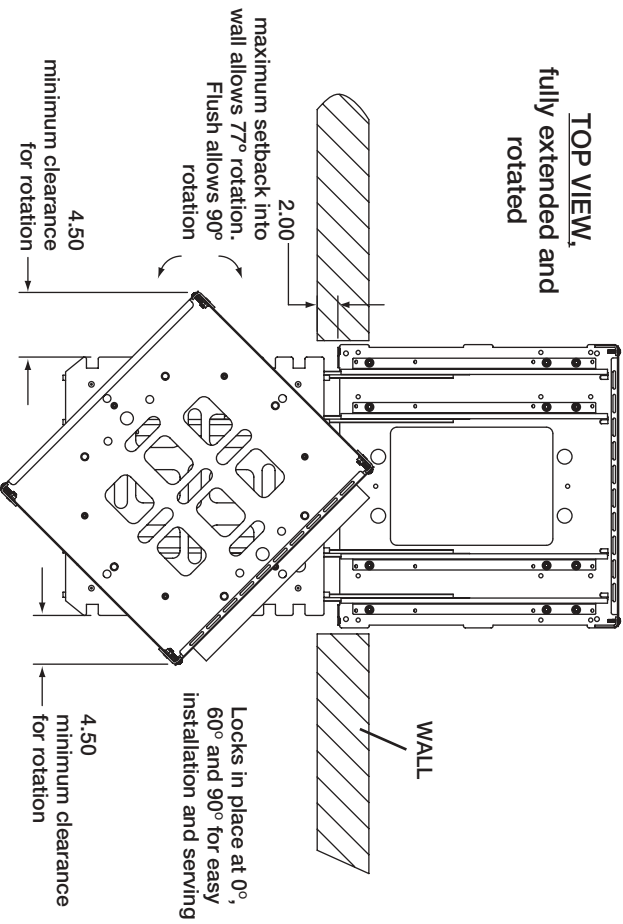
FRONT VIEW



SIDE VIEW, CLOSED POSITION



SIDE VIEW, FULLY EXTENDED POSITION



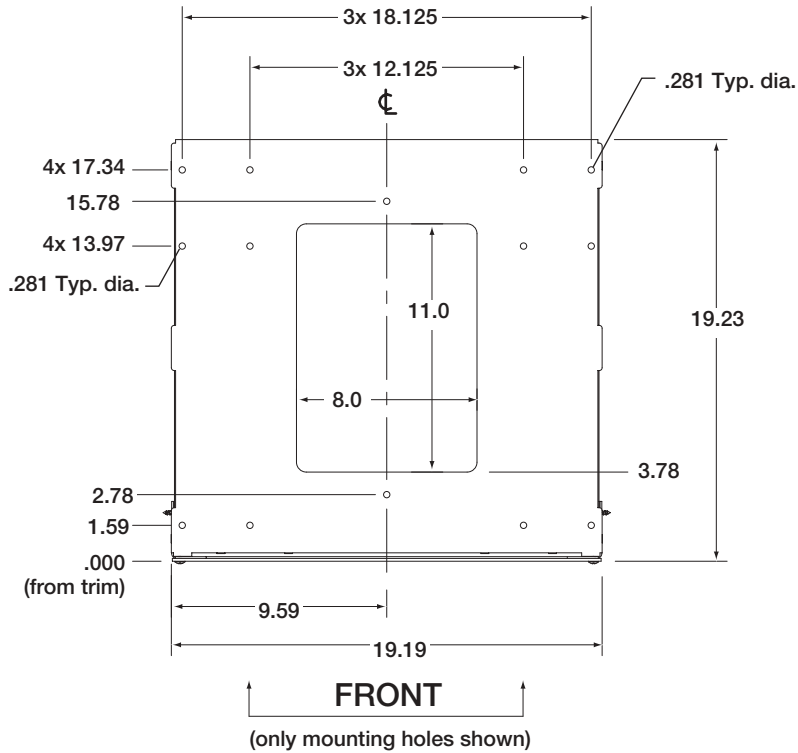
TOP VIEW,
fully extended and
rotated

Part #	A USEABLE RACKSPACES	B FINISHED OPENING HEIGHT
SRSR-2-12 / SRSR-4-12 / SRSR-X-12	12	23.95
SRSR-2-13 / SRSR-4-13 / SRSR-X-13	13	25.70
SRSR-2-14 / SRSR-4-14 / SRSR-X-14	14	27.45
SRSR-2-15 / SRSR-4-15 / SRSR-X-15	15	29.20
SRSR-2-16 / SRSR-4-16 / SRSR-X-16	16	30.95
SRSR-2-17 / SRSR-4-17 / SRSR-X-17	17	32.70
SRSR-2-18 / SRSR-4-18 / SRSR-X-18	18	34.45
SRSR-2-19 / SRSR-4-19 / SRSR-X-19	19	36.20
SRSR-2-20 / SRSR-4-20 / SRSR-X-20	20	37.95
SRSR-2-21 / SRSR-4-21 / SRSR-X-21	21	39.70
SRSR-2-22 / SRSR-4-22 / SRSR-X-22	22	41.45
SRSR-2-23 / SRSR-4-23 / SRSR-X-23	23	43.20
SRSR-2-24 / SRSR-4-24 / SRSR-X-24	24	44.95

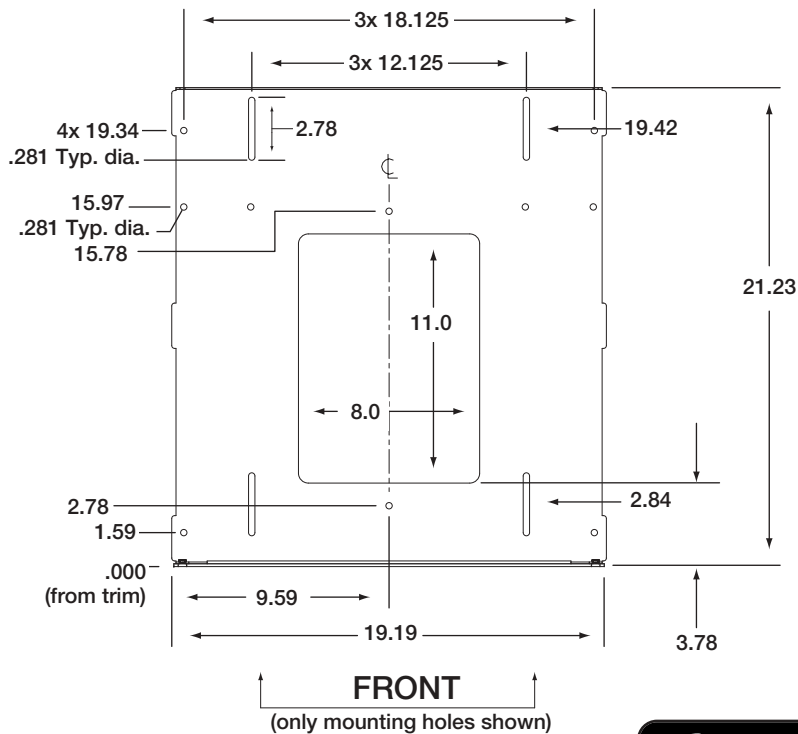
All dimensions in inches unless otherwise noted

SRSR Series rough-in pan mounting point locations

All dimensions in inches unless otherwise noted



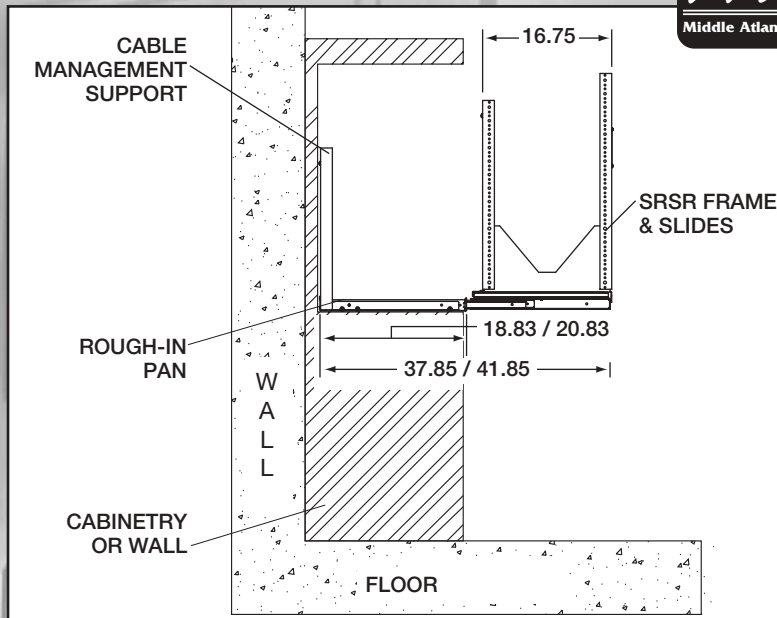
SRSR-2-XX / SRSR-4-XX



SRSR-X-XX



SRSR installed



Part #	Weight Capacity	# Of Slides
SRSR-2-XX	150	2
SRSR-4-XX	300	4
SRSR-X-XX	200	4

Part #	Useable Rackspace	Useable Height	Finished Millwork Openings		
			Height	Width	Depth*
SRSR-2-12 / SRSR-4-12	12	21 (12 space)	23.95	19.25	19.25
SRSR-2-13 / SRSR-4-13	13	22.75 (13 space)	25.7	19.25	19.25
SRSR-2-14 / SRSR-4-14	14	24.5 (14 space)	27.45	19.25	19.25
SRSR-2-15 / SRSR-4-15	15	26.25 (15 space)	29.2	19.25	19.25
SRSR-2-16 / SRSR-4-16	16	28 (16 space)	30.95	19.25	19.25
SRSR-2-17 / SRSR-4-17	17	29.75 (17 space)	32.7	19.25	19.25
SRSR-2-18 / SRSR-4-18	18	31.5 (18 space)	34.45	19.25	19.25
SRSR-2-19 / SRSR-4-19	19	33.25 (19 space)	36.2	19.25	19.25
SRSR-2-20 / SRSR-4-20	20	35 (20 space)	37.95	19.25	19.25
SRSR-2-21 / SRSR-4-21	21	36.75 (21 space)	39.7	19.25	19.25
SRSR-2-22 / SRSR-4-22	22	38.5 (22 space)	41.45	19.25	19.25
SRSR-2-23 / SRSR-4-23	23	40.25 (23 space)	43.2	19.25	19.25
SRSR-2-24 / SRSR-4-24	24	42 (24 space)	44.95	19.25	19.25
SRSR-X-12	12	21 (12 space)	23.95	19.25	23.25
SRSR-X-13	13	22.75 (13 space)	25.7	19.25	23.25
SRSR-X-14	14	24.5 (14 space)	27.45	19.25	23.25
SRSR-X-15	15	26.25 (15 space)	29.2	19.25	23.25
SRSR-X-16	16	28 (16 space)	30.95	19.25	23.25
SRSR-X-17	17	29.75 (17 space)	32.7	19.25	23.25
SRSR-X-18	18	31.5 (18 space)	34.45	19.25	23.25
SRSR-X-19	19	33.25 (19 space)	36.2	19.25	23.25
SRSR-X-20	20	35 (20 space)	37.95	19.25	23.25
SRSR-X-21	21	36.75 (21 space)	39.7	19.25	23.25
SRSR-X-22	22	38.5 (22 space)	41.45	19.25	23.25
SRSR-X-23	23	40.25 (23 space)	43.2	19.25	23.25
SRSR-X-24	24	42 (24 space)	44.95	19.25	23.25

***NOTE:** We recommend leaving an additional 1.5" min. clearance at rear for cables.