



Middle Atlantic Products, Inc.

www.middleatlantic.com

MRK Series Enclosure



SEISMIC RATED



The MRK Series 19" gangable enclosures Narrow design for large multi-bay jobs

Features

- Fully welded construction
- 2,500 lb. weight capacity
- 1/8" thick structural steel internal braces
- UL Listed in the US and Canada
- Seismic rated (when used with MRK-Z4 option)
- 22" OD width, available 26-1/2", 31-1/2" and 36" OD depth
- 1/2", 3/4", 1" & 1-1/2" electrical knockouts on rear plates top & bottom, easily removable for cable pass-through, top plate additionally includes UHF/VHF knockouts
- 2 wide pairs of 11-gauge 10-32 threaded rackrail with numbered rackspace increments
- Keylocked solid rear door standard, optional vented rear door available
- Optional solid, fully vented, plexiglass & vented plexiglass front doors available
- Open top with configurable top panel options
- Durable black textured powder coat finish



MRK-4426

Enclosure Accessories

ADDITIONAL RAIL KIT
 CASTER BASE
 CONFIGURABLE TOPS
 COPPER BUSS BAR
 CRATING SERVICE
 DOCUMENT POCKET
 DOOR LATCH
 GANGING HARDWARE
 INNER PLATFORM BASE
 LEVELING FEET
 REMOVABLE SIDE PANELS
 SEISMIC FLOOR ANCHOR BRACKETS
 TOP RAILS
 UNIVERSAL FRONT DOORS
 VENTED REAR DOORS
 WRINKLE TOUCH-UP PAINT

for details - see Master Catalog or visit
www.middleatlantic.com

Architects' and Engineers' Specifications

EIA compliant 19" gangable equipment rack shall be Middle Atlantic Products model # MRK-____ (see chart for available models). Overall dimensions of rack shall be ____"H x ____"W x ____"D (refer to chart). Useable height shall be ____ rackspace, useable depth shall be ____" (refer to chart). Fully welded construction provides a 2,500 lb. weight capacity. Rack shall be constructed of the following materials: top and bottom shall be 14-gauge steel, horizontal braces shall be 16-gauge steel, rear door shall be 18-gauge steel, all structural elements shall be phosphate pre-treated and finished in a durable black powder coat. Rack shall come equipped with two pairs of 11-gauge steel rackrail with tapped 10-32 mounting holes in universal EIA spacing, black e-coat finish and numbered rackspace. The MRK shall have a solid locking rear door. Rack shall have a removable rear knockout panel with 1/2", 3/4", 1", and 1-1/2" electrical knockouts installed in base, and a removable rear knockout panel with 1/2", 3/4", 1", and 1-1/2" electrical knockouts, and BNC knockouts for UHF/VHF antennas installed in top. Grounding and bonding stud shall be 1/4-20 threaded, installed in base of enclosure. MRK series racks 31" deep or less satisfy the 1994 UBC Seismic Zone 4 lateral force requirements for protecting 1,000 lbs. of essential equipment in upper floor installations when used in conjunction with the MRK-Z4 floor anchor brackets. MRK-4436 satisfies the 1997 UBC Seismic Zone 4 and IBC 2000 Seismic Use Group III lateral force requirements for protecting 1,000 lbs. of essential equipment in upper floor installations when used in conjunction with the MRK-Z4 floor anchor brackets. Rack shall be UL Listed in the US and Canada.

OPTIONS

- Front doors shall be reinforced 16-gauge steel, model # FD-XX (solid), VFD-XX (vented), PFD-XX (plexi), PVFD-44 (vented plexi) (X=# of rackspace of MRK rack)
- Vented rear doors shall be 16-gauge steel and available as model # MW-VRD-XX, (X=# of rackspace)
- Removable keylocked side panels shall be constructed of 16-gauge steel with recessed lift handles, model # SPN-XX-(267/312/36) (X=# of rackspace, 267=26" cabinet depth, 312=31" cabinet depth, 36=36" cabinet depth)
- Top panels, 16-gauge steel, in 4 styles - model # MW-ST (solid top), #MW-10FT (10" fan), #MW-4FT (four 4-1/2" fans), #MW-VT (vented top)
- Caster base, adds 3/4" to overall height, four casters shall have a total weight capacity of 1,300 pounds, model # CBS-MRK-YY (Y= cabinet depth) and be UL Listed in the US and Canada
- Inner Platform Base (inset base w/out casters) model # BS-MRK-YY (Y= cabinet depth)
- Leveling feet model # LF, shall be 3/8" threaded steel, adjustable from top or bottom, adds 1/4" min. to 1" max. to rack overall height
- Keyless Latch, replaces keylock & fits front & rear doors, model # LATCH
- Lacer strip, heavily perforated, 77" long, 11-gauge steel, model # LACE
- Additional rail kit, 11-gauge, 10-32 threaded, sold in pairs, hardware included, model # MV-RRXX (X=# of rackspace)
- Seismic Zone-4 compliancy floor anchor kit, model # MRK-Z4
- AXS option available (See AXS Spec sheet 96-0555)

electronic version available at www.middleatlantic.com

Engineered Mounting Solutions for Low Voltage Applications

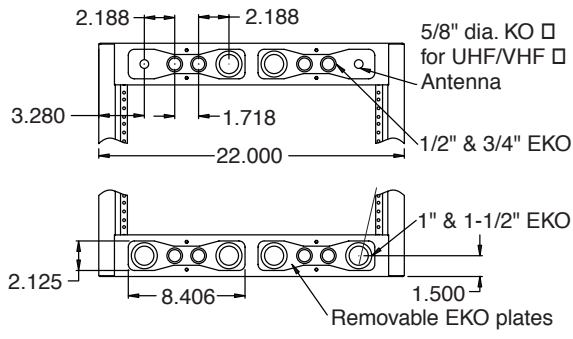
US: Riverdale, NJ ■ Simi Valley, CA ■ Harvey, IL ■ Voice: 973-839-1011 Fax: 973-839-1976 ■ www.middleatlantic.com
 Canada: Ottawa, ON ■ Burnaby, BC ■ Voice: 613-836-2501 Fax: 613-836-2690 ■ www.middleatlantic.com

MRK basic dimensions

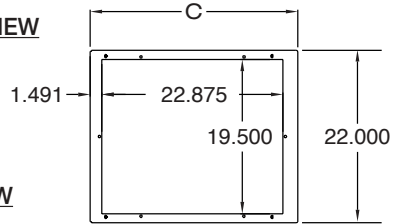


All dimensions in inches unless otherwise noted

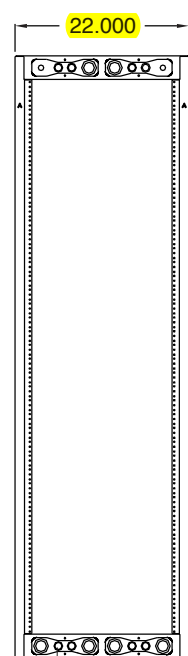
REAR VIEW TOP & BOTTOM



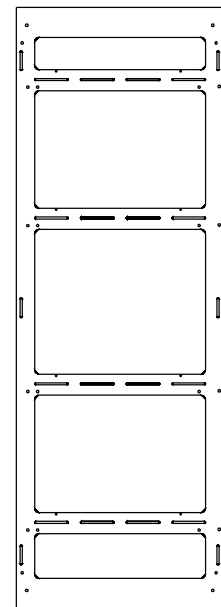
TOP VIEW



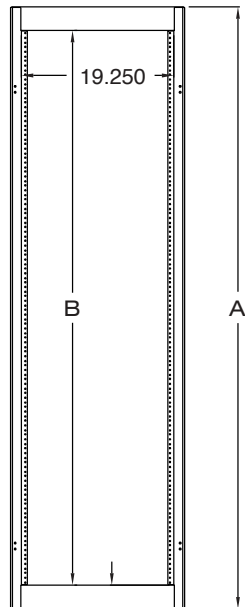
REAR VIEW



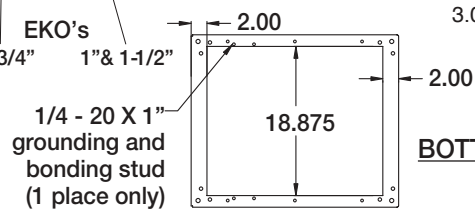
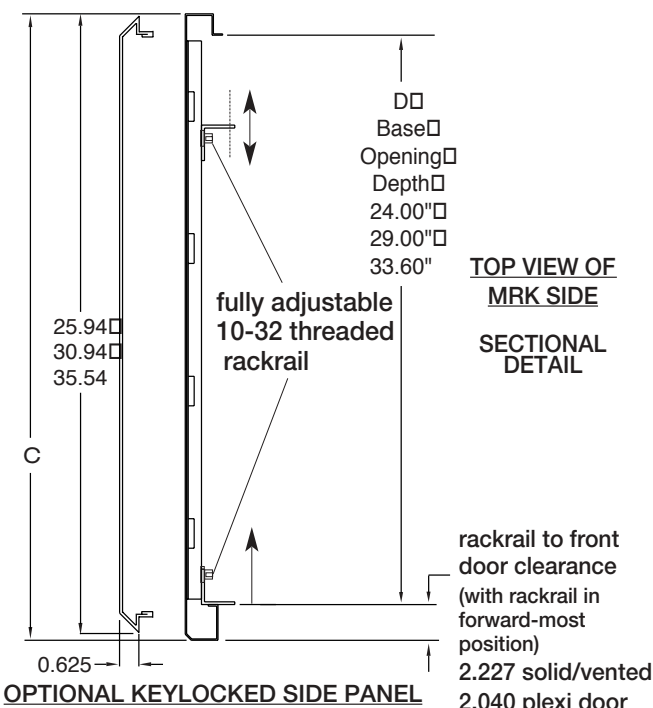
SIDE VIEW



FRONT VIEW

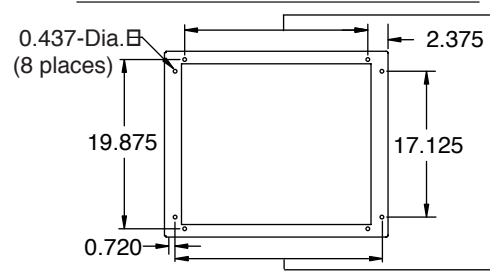


TOP VIEW OF MRK SIDE SECTIONAL DETAIL



BOTTOM VIEW

FLOOR MOUNTING LOCATIONS



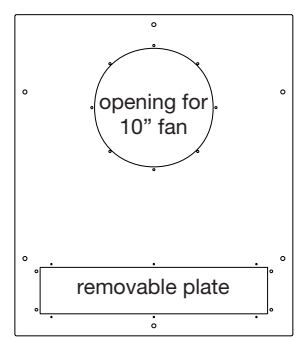
- MRK-XX26=21.5
- MRK-XX31=26.5
- MRK-XX36=31.1

- MRK-XX26=24.29
- MRK-XX31=29.29
- MRK-XX36=33.89

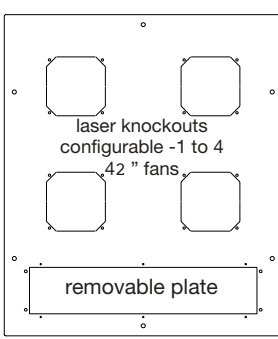
Part #	A Overall Height	B Useable Height	C Overall Depth	D Base Opening Depth
MRK-4426	83.125"	77.125"	26.4"	24.00"
MRK-4026	76.125"	70.125"	26.4"	24.00"
MRK-3726	70.875"	64.875"	26.4"	24.00"
MRK-2426	48.125"	42.125"	26.4"	24.00"
MRK-4431	83.125"	77.125"	31.4"	29.00"
MRK-4031	76.125"	70.125"	31.4"	29.00"
MRK-3731	70.875"	64.875"	31.4"	29.00"
MRK-2431	48.125"	42.125"	31.4"	29.00"
MRK-4436	83.125"	77.125"	36.0"	33.60"

MRK top options

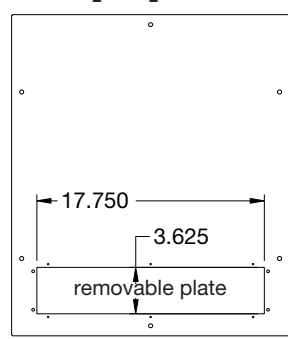
(removable plate opening accommodates 2 space panel)



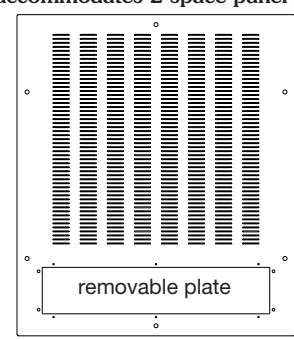
MW-10FT



MW-4FT



MW-ST



MW-VT