

RGB 192V

Universal Computer-Video Interface with Audio



FEATURES

- Input: RGB video on female 15-pin HD connector; audio on 3.5 mm stereo mini connector
- Output: RGB video on female BNC connectors for RGsB, RGbS, or RGBHV; audio on captive screw connector
- Compatible with VGA–QXGA, Mac, Sun®, and SGI® computers
- 300 MHz (-3 dB) RGB video bandwidth
- Active PC audio interfacing
- Includes 6' (1.8 m) 15-pin HD male-to-male, PC input cable with audio
- Includes under-desk mounting kit, part # 70-077-01
- Mono or stereo audio output
- DDSPT™ - Digital Display Sync Processing
- Buffered female 15-pin HD local monitor output
- Horizontal shift control
- Durable metal enclosure
- External universal power supply included, part # 70-055-01

DESCRIPTION

The Extron **RGB 192** is a universal, analog computer-video interface with a female 15-pin HD input and a buffered local monitor output. The RGB 192 also converts computer-generated, unbalanced audio to balanced, line level audio. It includes a 15-150 kHz scanning range, 300 MHz (-3 dB) RGB video bandwidth, and is compatible with nearly every computer-video signal, including VGA-QXGA, Mac, Sun®, and SGI®. ID bit termination is provided on pins 4 and 11 of its 15-pin HD input, ensuring that computers requiring local monitors to operate will do so in the event that one is not attached.

SYNC

Input type	RGBHV, RGbS, RGsB (does not strip sync from video)
Output type	RGBHV at all times, RGbS at all times, RGsB (switch selectable)
Input level	2.0 V to 5.5 Vp-p with ±0.2 VDC offset (max.)
Output level	4.0 V to 5.0 Vp-p, unterminated
Input impedance	510 ohms
Output impedance	75 ohms
Max. propagation delay	57 ns
Max. Rise / Fall time	4 ns
Polarity	RGBHV input: positive or negative (follows input), RGbS, RGsB input: negative

AUDIO

Gain	Unbalanced output: 0 dB; balanced output: +6 dB
Frequency response	20 Hz to 20 kHz, ±0.05 dB
THD + Noise	0.03% @ 1 kHz, 0.3% @ 20 kHz at nominal level
S/N	>90 dB at maximum output (14 dBm), balanced, unweighted
Crosstalk	<-90 dB @ 1 kHz
Stereo channel separation	>90 dB @ 1 kHz to 20 kHz

AUDIO INPUT

Number / Signal type	1 stereo or mono, unbalanced
Connectors	(1) 3.5 mm mini stereo audio jack (tip, ring, sleeve)
Impedance	>10k ohms unbalanced, DC coupled
Nominal level	-10 dBV (316 mVrms, -7.76 dBu)
Maximum level	+9.5 dBu, (unbalanced) at 1% THD+N

AUDIO OUTPUT

Number / Signal type	1 buffered stereo or mono, balanced/unbalanced
Connectors	(1) 3.5 mm captive screw connector, 5 pole
Impedance	50 ohms unbalanced, 100 ohms balanced
Maximum level (Hi-Z)	>+14 dBm, balanced at 1% THD+N
Maximum level (600 ohm)	>+9 dBm, balanced at 1% THD+N

GENERAL

External Power Supply	100 VAC to 240 VAC, 50/60 Hz, external, universal; to 12 VDC, 1 A, regulated, included
Power input requirements	12 VDC, 0.35 A
Rack mount	No, but furniture mountable with included under-desk mounting brackets
Enclosure type	Metal
Enclosure dimensions	1.0" H x 5.7" W x 4.5" D 2.5 cm H x 14.5 cm W x 11.4 cm D (Depth excludes connectors.)
Product / Shipping weight	0.9 lbs (0.4 kg) / 3 lbs (2 kg)

SPECIFICATIONS

VIDEO

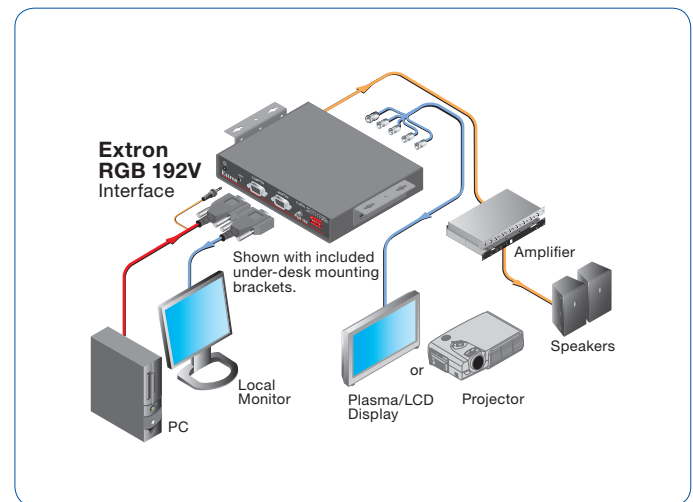
Gain	Unity (0.7 V), (0.8 V) 15% with 3 dB peaking
Bandwidth	300 MHz (-3 dB)

VIDEO INPUT AND LOOP-THROUGH

Number / Signal type	1 analog VGA–QXGA, Mac, Sun RGBHV, RGbS, RGsB 1 buffered local monitor loop-through identical to the input
Connectors	(1) female 15-pin HD (input), (1) female 15-pin HD (loop-through)
Nominal level	0.7 Vp-p for RGB
Minimum / Maximum levels	Analog: 0.3 V to 1.45 Vp-p with no offset at unity gain
Impedance	75 ohms
Horizontal frequency	15 kHz to 130 kHz
Vertical frequency	30 Hz to 170 Hz

VIDEO OUTPUT

Number / Signal type	1 RGBHV, RGbS, RGsB on 6 BNC female
Nominal level	0.7 Vp-p for RGB
Minimum / Maximum levels	0.7 V to 0.8 Vp-p (switch selectable) with peaking
Impedance	75 ohms



MODEL

RGB 192V	Computer-Video Interface with Audio	60-486-01
-----------------	-------------------------------------	-----------

OPTIONAL ACCESSORIES

MODEL DESCRIPTION	PAGE	PART #
Mac 15-HD	page 60	70-156-01
13W3 - 15HD	page 60	70-157-03
MBD 129	page 817	70-077-02

Europe
+31.33.453.4040 / +800.3987.6673
+31.33.453.4050 FAX

Dubai
+971.4.2991800
+971.4.2991880 FAX

Asia
+65.6383.4400 / +800.7339.8766
+65.6383.4664 FAX

China
+86.21.3760.1568 / +400.883.1568
+86.21.3760.1566 FAX

Japan
+81.3.3511.7655
+81.3.3511.7656 FAX

