

# Specifications — MLC 62 Series

---

## Control — host ports

Serial control port.....	1 bidirectional RS-232 on a 3.5 mm captive screw connector, 3 pole
Baud rate and protocol.....	9600 baud, 8 data bits, 1 stop bit, no parity
Serial control pin configuration ..	Pin 1 = Tx, pin 2 = Rx, pin 3 = GND
USB control ports	
Decora® models.....	1 front panel female mini USB B
MK and EU models.....	1 side panel female mini USB B
USB standards .....	USB 2.0, low speed
IR learning frequencies.....	30 kHz to 60 kHz
IR learning distance .....	4" (10 cm) to 14" (36 cm) from the receiver (on front panel for Decora models, side panel for MK and EU models)
Program control.....	Extron configuration program for Windows® Extron Simple Instruction Set (SIS™)

## Control — serial port (RS models)

Display control port.....	(1) 3.5 mm captive screw connector, 2 pole for unidirectional RS-232 control (±5 V)
Baud rate and protocol (RS-232) ..	9600 (default), 19200, 38400, 57600, 115,200 baud; 8 (default) or 7 data bits; 1 stop bit; no parity (default), or even or odd parity

## Control — IR port (IR models) or IR/serial port (RS models)

IR control port.....	(1) 3.5 mm captive screw connector, 2 pole for IR or IR/Serial* (transmit only) TTL level (0 to 5 V) modulated infrared control (all models) from 30 kHz up to 60 kHz, or ±5 V RS-232 control (RS models, transmit only) *For RS models, IR/serial ports are configurable via software, serial communication is the default.
Baud rate and protocol.....	For RS models: 9600 (default), 19200, 38400, 57600, 115,200 baud; 8 (default) or 7 data bits; 1 stop bit; no parity (default), or even or odd parity

## Control — relay (RS models)

Number/type .....	2 momentary or latching (configurable via software)
Connector .....	(1) 3.5 mm captive screw connector, 3 pole
Contact rating .....	24 V, 1 A

## Control — digital input monitoring port (RS models)

Number/type .....	1 digital input (configurable)
Connector .....	(1) 3.5 mm captive screw connector, 2 pole
Digital inputs	
Input voltage range.....	0-24 VDC
Input impedance .....	12k ohms
Programmable pullup .....	2k ohms to +5 VDC
Threshold low to high .....	>1.5 VDC
Threshold high to low .....	<1.0 VDC

## General

External power supply .....	100 VAC to 240 VAC, 50-60 Hz, external; to 12 VDC, 1 A, regulated
Power input requirements .....	12 VDC, 0.4 A, max.
Temperature/humidity .....	Storage: -40 to +158 °F (-40 to +70 °C) / 10% to 90%, noncondensing Operating: +32 to +122 °F (0 to +50 °C) / 10% to 90%, noncondensing
Cooling .....	Convection, no vents

# Specifications — MLC 62 Series, cont'd

## Mounting

Rack mount ..... No  
 Furniture or wall mount

Decora® models ..... Mounts in a standard 1 gang US electrical junction box (1.50" depth) or with included mud ring.  
 EU models ..... Mounts in a standard 1 gang EU electrical junction box with 60 mm mounting centers (40 mm depth). An adapter frame is included.  
 MK models ..... Mounts to a standard 47 mm deep MK electric type British standard wall box.

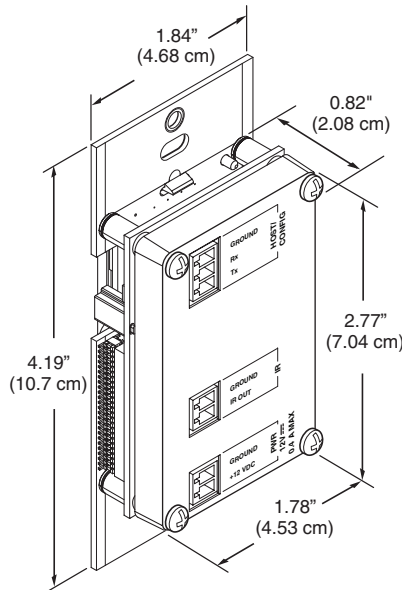
Enclosure type ..... Plastic

## Enclosure dimensions

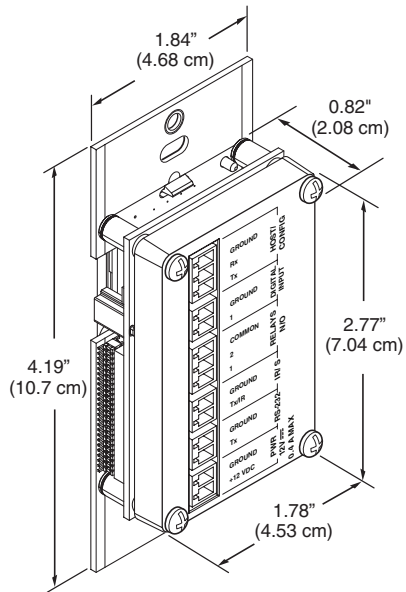
MLC 62 IR D, MLC 62 RS D

Faceplate ..... 2.6" H\* x 1.3" W x 0.2" D  
 (6.6 cm H\* x 3.3 cm W x 0.4 cm D)  
 (Fits the opening in a 1 gang Decora® faceplate. \*Height is 2.8" [7.0 cm] and width is 1.5" [3.8 cm] including outer shoulders.)

Device ..... 2.8" H x 1.8" W x 0.9" D  
 (7.0 cm H x 4.5 cm W x 2.1 cm D)  
 (Overall rear dimensions, including connectors. Allow at least 1.5" [3.7 cm] depth in the wall or furniture for device and cable clearance.)



**MLC 62 IR D**  
**Rear**



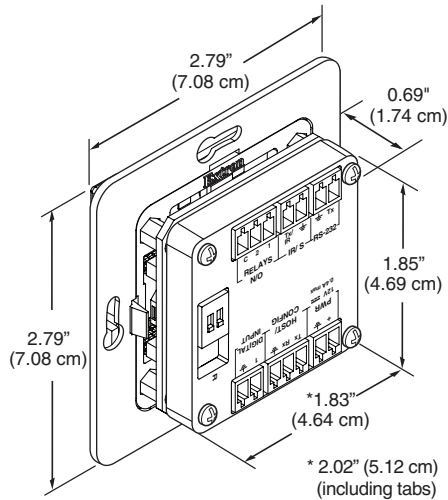
**MLC 62 RS D**  
Rear

**MLC 62 RS EU**

Faceplate..... 2.2" H x 2.2" W x 0.3" D (1-gang EU, fits a Jung AS 500 wallplate)  
(5.5 cm H x 5.5 cm W x 0.7 cm D)

Device ..... 1.9" H x 2.0" W x 0.7" D  
(4.8 cm H x 5.2 cm W x 1.8 cm D)

(Overall rear dimensions, including connectors. Allow at least 1.25" [3.2 cm] depth in the junction box for device and cable clearance.)



**MLC 62 EU**  
Rear

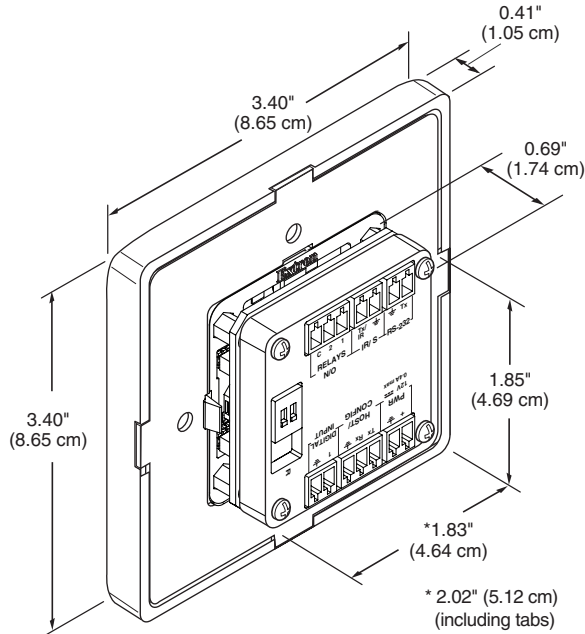
**MLC 62 RS MK**

Faceplate..... 2.2" H x 2.2" W x 0.3" D  
(5.5 cm H x 5.5 cm W x 0.7 cm D)

Wall frame ..... 3.4" H x 3.4" W x 0.4" D  
8.6 cm H x 8.6 cm W x 1.1 cm D

# Specifications — MLC 62 Series, cont'd

Device ..... 1.9" H x 2.0" W x 0.7" D  
 (4.8 cm H x 5.2 cm W x 1.8 cm D)  
 (Overall rear dimensions, including connectors. Allow at least 1.25" [3.2 cm] depth in the junction box for device and cable clearance.)



**MLC 62 RS MK**  
**Rear**

**Product weight**

MLC 62 IR D, MLC 62 RS D ..... 1.0 lb (0.5 kg)  
 MLC 62 RS EU ..... 1.0 lb (0.5 kg)  
 MK models ..... 1.0 lb (0.5 kg)

Shipping weight ..... 3 lbs (2 kg)

Vibration ..... ISTA 1A in carton (International Safe Transit Association)

**Regulatory compliance**

Safety ..... CE, c-UL, UL  
 EMI/EMC ..... CE, C-tick, FCC Class A, ICES, VCCI Class A  
 Accessibility ..... Section 508 of the Rehabilitation Act (29 U.S.C. 794d)

MTBF ..... 30,000 hours

Warranty ..... 3 years parts and labor

**NOTE** All nominal levels are at  $\pm 10\%$ .

**NOTE** Specifications are subject to change without notice.

7.6-010510-D8