

TOSHIBA

Satellite® A25 Series

Mobile Desktop Performance at a Value Price

Feature Model(s):

Satellite A25-S207

P4 2660/15.0" TFT/512MB/40GB/DVD-CDRW/Mdm/LAN/WiFi/WinXP Home

Satellite A25-S208

P4 2660/15.0" TFT/512MB/40GB/DVD-CDRW/Mdm/LAN/WiFi/WinXP Pro

Product Highlights

Performance

- Intel® Pentium® 4 2.66GHz processor
- 512MB of Main Memory
- 40GB* hard disk drive

Great Features

- 15.0" XGA TFT screen
- DVD-ROM/CDRW multi-function drive

Get On-Line

- Integrated V.92/56K modem
- Integrated 10/100 Ethernet LAN
- Integrated Wireless (802.11b) LAN

System Characteristics

CPU (See CPU Performance Disclaimer)**

- Intel® Pentium® 4 2.66GHz processor**
- Integrated co-processor

L2 Cache

- 512KB Level 2 Cache integrated on die
- 533MHz Processor System Bus Clock Speed

Memory

- 512MB (2 DIMM) DDR SDRAM (**Expandable to 1024MB**) (Both slots may be occupied)
- Expansion memory: 128MB/256MB/512/1024MB PC2100 DDR, SODIMM, 2.5V
- Data/Address Bus Width; 64-bit/32-bit
- Ali M1672 + M1535 Chipset

Mass Storage

- **Primary Hard Disk Drive:** 40GB* hard disk drive, Enhanced IDE (ATA-5), 4200rpm, 9.7mm height, 0.2lbs, Service Removable
- **DVD-ROM/CDRW Multi-function drive:** Max Speed: CD-R(24x), CD-RW(10x), CD-ROM(24x), DVD-ROM(8x); Compatibility: CD-ROM, CD-R(read/write), CD-RW(read/re-write), DVD-ROM, DVD-R (read), DVD-RW(read); Service removable
- Software Decoder: InterVideo® (WinDVD™)

Graphics/Video

- 15.0" XGA TFT active-matrix display; internal display supports up to 16M colors at 1024 x 768
 - **Trident CyberBlade XP2** graphics processor; 32MB shared video memory
- External Color Support/Refresh rate:
- | | |
|-------------|--|
| 640 x 480 | 60/75/85/100Hz Non-Interlaced@16M Colors |
| 800 x 600 | 60/75/85/100Hz Non-Interlaced@16M Colors |
| 1024 x 768 | 60/75/85/100Hz Non-Interlaced@16M Colors |
| 1280 x 1024 | 60/75/85/100Hz Non-Interlaced@16M Colors |
| 1600x 1200 | 60/75/85/100Hz Non-Interlaced@16M Colors |
| 1920 x 1440 | 60/75Hz Non-Interlaced@16M Colors |
| 2048 x 1536 | 60Hz Non-Interlaced@16M Colors |

Input Devices

- **Keyboard:** Full sized 85 keys with 12 function keys, 2.7mm key stroke, 6mm height; Dedicated Windows® & Application keys support; HotKey function; **TouchPad** pointing device
- **CD Control Function:** Play/Pause, Stop, Previous, Next, Mode Control Switch (CD/DVD)

Expandability

- 2 Memory slots (Both slots may be occupied)
- PC Card slot supports 1 Type II (5mm)

Communications

- Integrated V.92/56K modem; Data and fax support
- Due to FCC limitations, speeds of 53kbps are the maximum permissible

Toshiba America Information Systems Inc. ("TAIS") shall not be liable for damages of any kind for use of this information, which is subject to change without notice. Copyright 2003 TAIS satellite_A25-S207.doc Created on 5/28/2003 2:39 PM Rev. 1.2 Page 1 of 3

Part Numbers

PSA20U-02HKL5

PSA20U-02HKL6

transmission rates during Download. Actual data transmission speeds will vary depending on line conditions.

- Integrated 10/100 Ethernet LAN
- Integrated Wireless (802.11b) LAN (Agere)

Ports

- RGB (monitor) port
- Parallel port
- 3 Universal Serial Bus port (2.0)
- TV-Out (S-Video)
- RJ-45 LAN port
- RJ-11 modem port
- Secure Digital® (SD) slot

Physical Description

- Dimensions (LxWxH): 13.4" x 11.6" x 1.9"
- Weight: 7.9lbs
- LED Indicators: HDD, CD/DVD, DC-IN, Caps Lock, Arrow, Numeric, Main Battery Charging Status, System Sleep / Suspend status, Wireless Communication switch (left side), SD Card (right side)

Sound

- Analog Devices AD1981B Codec Chip, Software sound; 16-bit stereo; Stereo Speakers
- Direct 3D Sound (supported by sound driver); DirectSound and DirectMusic (supported by sound driver); Full Duplex and MIDI (play back) support, 32 voices
- Sound Volume (by dial)
- **Ports:** External Microphone port, headphone port, Line-in port

Power Supply

- **AC Adapter:** 120W AC Adapter, 100-240V / 50-60Hz frequency (Universal) input voltage, 15V x 8A Output.
Dimensions (LxWxH): 5.7" x 2.1" x 1.7"
Weight: 1.4lbs
- **Battery Pack:** 12-cell, rechargeable, removable Lithium Ion (Graphite) battery, 10.8V x 8400mAh
Dimension (LxWxH): 8.1" x 3.6" x 0.9"
Weight: 1.4lbs
- Battery Saver (in Windows): Stand by, HDD Auto Off, Display Auto Off, Hibernation
- Battery life 3h18m***; Recharge time(Off/On): Approx 3.5H/3.5~12.5H+
Battery life may vary depending on applications, power management settings and features utilized. Recharge time varies depending on usage. Battery may not charge while computer is consuming full power. After a period of time, the battery will lose its ability to perform at maximum capacity and will need to be replaced. This is normal for all batteries. To purchase a new battery pack, see your accessories information that shipped with your computer or visit the Toshiba website at www.accessories.toshiba.com

Security

- Slot for Kensington Cable lock, HDD and memory (by screw only), User Power-on password, Setup Security (by help of password utility), HDD Password (by TSETUP), Screen Blank (by Hotkey), Keyboard lock (by Hotkey), Screen Saver by software

Bios

- TSETUP, ACPI, PnP, VESA, DPMS, DDC, SM BIOS, PCI BIOS support

Operating System

- Microsoft® Windows XP Home pre-installed (**A25-S207**)
- Microsoft® Windows XP Pro pre-installed (**A25-S208**)
- Windows 2000 component drivers on the web

Additional Software

- Microsoft® Works

TOSHIBA

- Toshiba Notebook Maximizer
- Intuit® Quicken Basic 2001
- Norton® AntiVirus™ 2002
- AOL® (3.-month offer)
- Adobe® Acrobat™ Reader
- AT&T® Worldwide® Service – 1 Month Free
Telephone access and other charges and other terms and conditions may apply. Offer available to new customers only. Offer expires 4/30/04.
- Microsoft Internet Explorer
- Toshiba Custom Utilities
- Satellite Series Online Documentation
- **Toshiba Great Software Offer:** Receive your choice of two software titles. The software selection includes titles from the follow categories; productivity, education/reference, creativity and entertainment

Warranty

- 1 year parts, labor and battery

SelectServ® Warranty Programs

SWP-PEQQ3V	Warranty Extension to 3 Years
SWP-PEGQ3V	3 Year SystemGuard
SWP-PEQX3V	3 Year Depot Express
SWP-PEGX3V	3 Year SystemGuard + Depot Express
SWP-PEQN3V	3 Year Business On-Site Repair; Next Day Business Day Response
SWP-PEGN3V	3 Year SystemGuard + Business On Site Repair, Next Business Day Response

Environmental Specifications

- **Temperature:** Operating: 5° to 35°C (41° to 95°F); Non-operating: -20° to 65°C (-4° to 149°F)
- **Thermal gradient:** Operating: 15°C per hour maximum; Non-operating: 20°C per hour maximum
- **Relative Humidity:** Operating: 20% to 80%; Non-operating: 10% to 95%
- **Altitude (relative to sea level):** Operating: -60 to 3000 meters; Non-operating: -60 to 10,000 meters
- **Shock:** Operating: 10G; Non-operating: 60G
- **Vibration:** Operating: 0.5G; Non-operating: 1.0G

Selected Accessories

Toshiba Accessories

PA3237U-1ACA	Global AC Adapter (120W)
PA3287U-1BRS	Primary Battery Pack (12 Cell)
PA3109U-1FDD	USB Floppy Disk Drive
PA3212U-3MPCR	Wireless LAN Card Kit (Agere 802.11b)
PA3273U-2MPC	Wireless LAN Card Kit (Atheros 802.11a/b)
PA2171U-1BTM	Toshiba Bluetooth SD Card II

Toshiba SD Memory

SD-M3203B3	32MB
SD-M6403B3	64MB
SD-M1283B3	128MB
SD-M2564B3	256MB

Kingston Memory

KTT3614/128	Kingston 128MB PC2100 DDR SDRAM Memory
KTT3614/256	Kingston 256MB PC2100 DDR SDRAM Memory
KTT3614/512	Kingston 512MB PC2100 DDR SDRAM Memory

Targus Cases-Security

NWCC52	Targus Global Traveler
NWDEFCL	Targus-Noteworthy DEFCON CL Cable Lock

*Go to www.accessories.toshiba.com for additional, available accessories

Product/Part Numbers

PSA20U-02HKLV	Satellite A25-S207 (Win XP Home pre-installed)
PSA20U-02HKL6	Satellite A25-S208 (Win XP Pro pre-installed)

*GB = 1 Billion bytes

** Central Processing Unit ("CPU") Performance Disclaimer:

CPU performance in your computer product may vary from specifications under the following conditions:

- use of certain external peripheral products
- use of battery power instead of AC power
- use of certain multimedia games or videos with special effects
- use of standard telephone lines or low speed network connections
- use of complex modeling software, such as high end computer aided design applications
- use of computer in areas with low air pressure (high altitude >1,000 meters or >3,280 feet above sea level)
- use of computer at temperatures outside the range of 5°C to 35°C (41°F to 95° F) or >25°C (77°F) at high altitude (all temperature references are approximate).

CPU performance may also vary from specifications due to design configuration.

Under some conditions, your computer product may automatically shut-down. This is a normal protective feature designed to reduce the risk of lost data or damage to the product when used outside recommended conditions. To avoid risk of lost data, always make back-up copies of data by periodically storing it on an external storage medium. For optimum performance, use your computer product only under recommended conditions. Read additional restrictions under "Environmental Conditions" in your product Resource Guide. Contact Toshiba Technical Service and Support for more information.

Return Policy

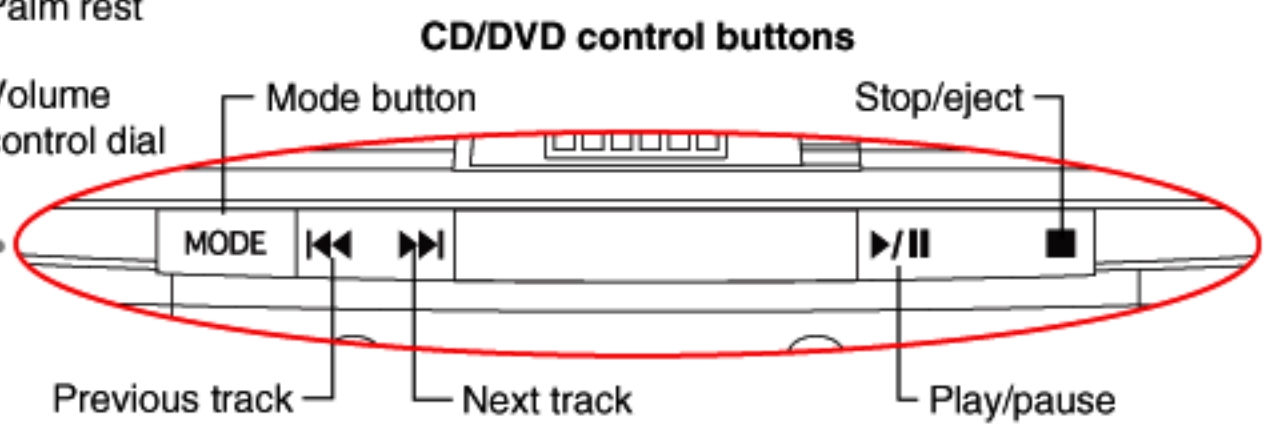
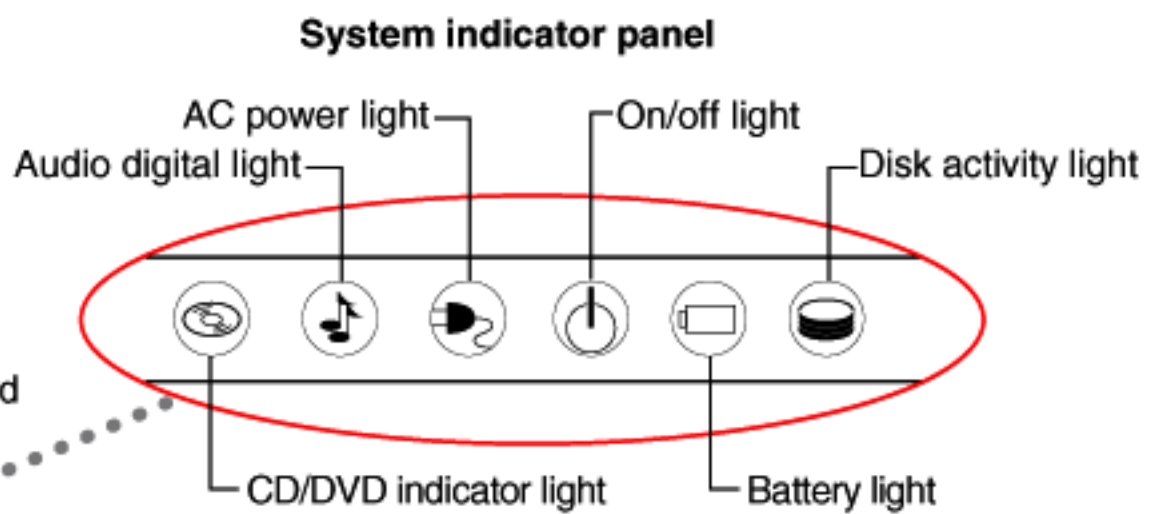
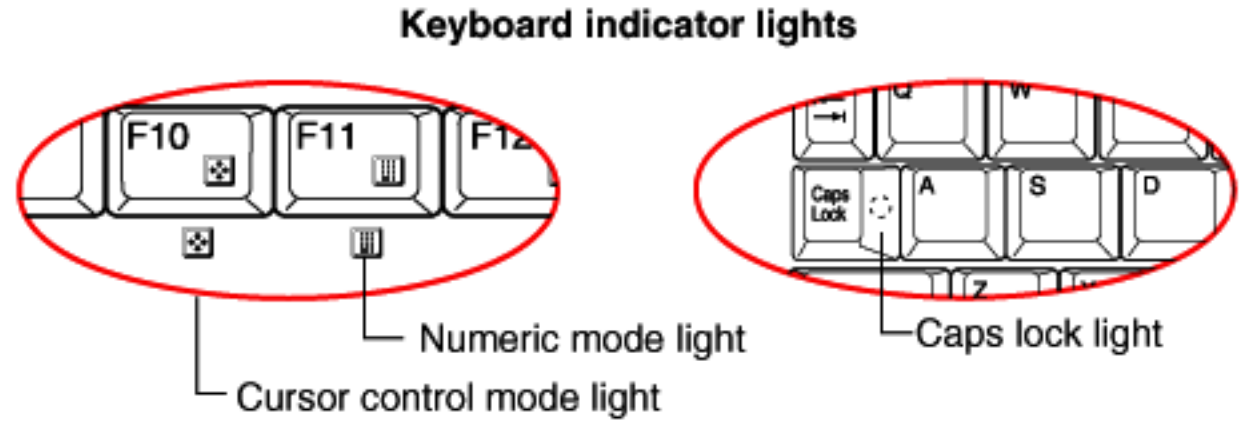
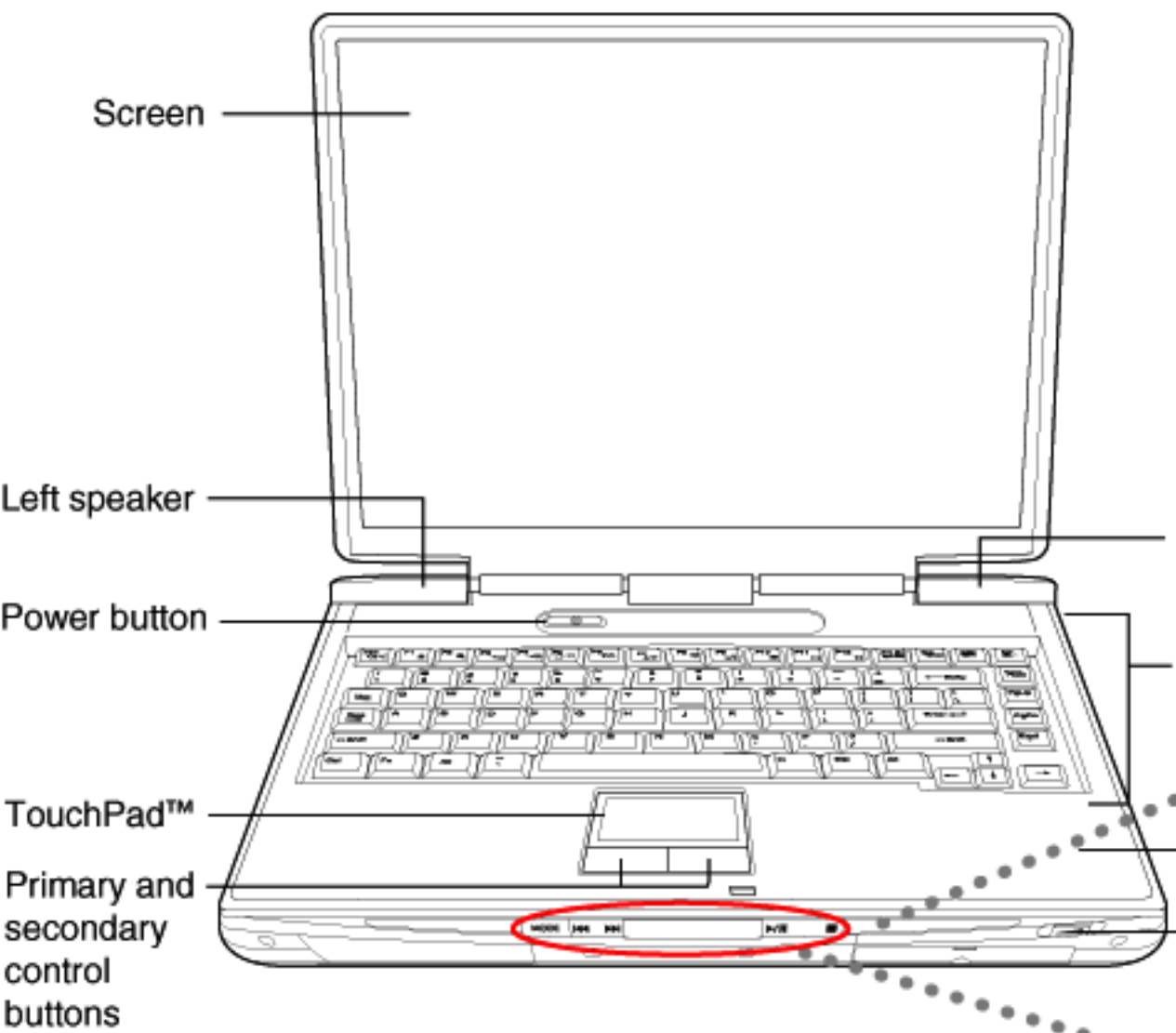
TAIS does not accept the return of component parts, or bundled software, which have been removed from the PC system. Pro-rata refunds on individual PC components or bundled software, including the operating system, will not be granted. If you wish to return a complete PC system, contact the TAIS dealer where you purchased the product, and comply with the dealer's standard return policies and procedures.

***** Business Winstone® 2002 BatteryMark™ Version 1.0**

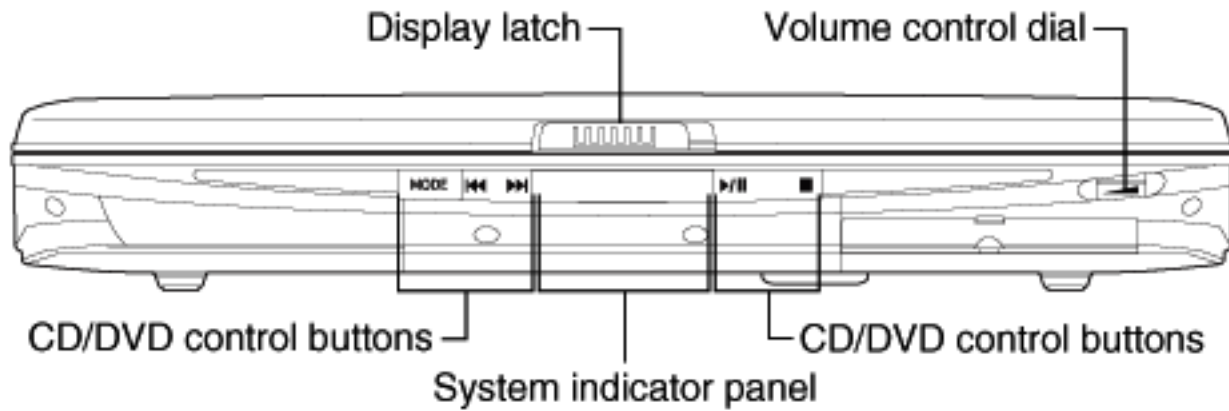
These models achieved the battery life times shown using Ziff Davis Media Inc.'s Business Winstone® 2002 BatteryMark™ Version 1.0. These tests were performed without independent verification by the VeriTest testing division of Lionbridge Technologies, Inc. ("VeriTest"). Neither Ziff Davis Media Inc. nor VeriTest makes any representations or warranties as to the results of the tests. Winstone® is a registered trademark and BatteryMark™ is a trademark of Ziff Davis Publishing Holdings Inc. in the U.S. and other countries. Copyright 2002 Ziff Davis Media Inc. All Rights Reserved. All products used in the tests were shipping versions available to the general public. The battery life results were achieved running the Business Winstone® 2002 BatteryMark™ Version 1.0 on the following system parameters. System parameters were set according to Ziff Davis Media Inc.'s recommendations.

	Battery Life	Catalog Spec (1st)	3h18m
		(1st+2nd)	N/A
		Number of Conditioning Phase	0
		Life Test Run	3
A	CPU Name		Intel Pentium 4 Processor 2.66GHz
	Processor info	speed	2.66GHz
		number of processors	1
	amount of RAM		256MBx2
	Amount of secondary RAM cache		512KB (L2 RAM CACHE)
B	Battery	type(1st)	Li-Ion 10.8V X 8400mAh
		model number(1st)	PA3287U-SBRS
		type(2nd)	N/A
			N/A
		model number(2nd)	N/A
		number of batteries	1st=one,2nd=N/A
C	Graphics		Trident CyberALADDiN-P4
	amount and type of RAM		Internal 32MB
	graphics driver name and version		v.6.4612.22ICD_SE_NP
	graphics resolution and color depth, refresh rate		15.0" 1024x768
D	hard disk capacity		40GB
	hard disk file system & transfer mode		Enhanced IDE (ATA-5)
	hard disk controller model		ALi M1535+
	size of hardware cache if any		N/A
E	operating system version, service pack		Windows XP Home Edition Version 2000 Service pack 1
	other special conditions		N/A

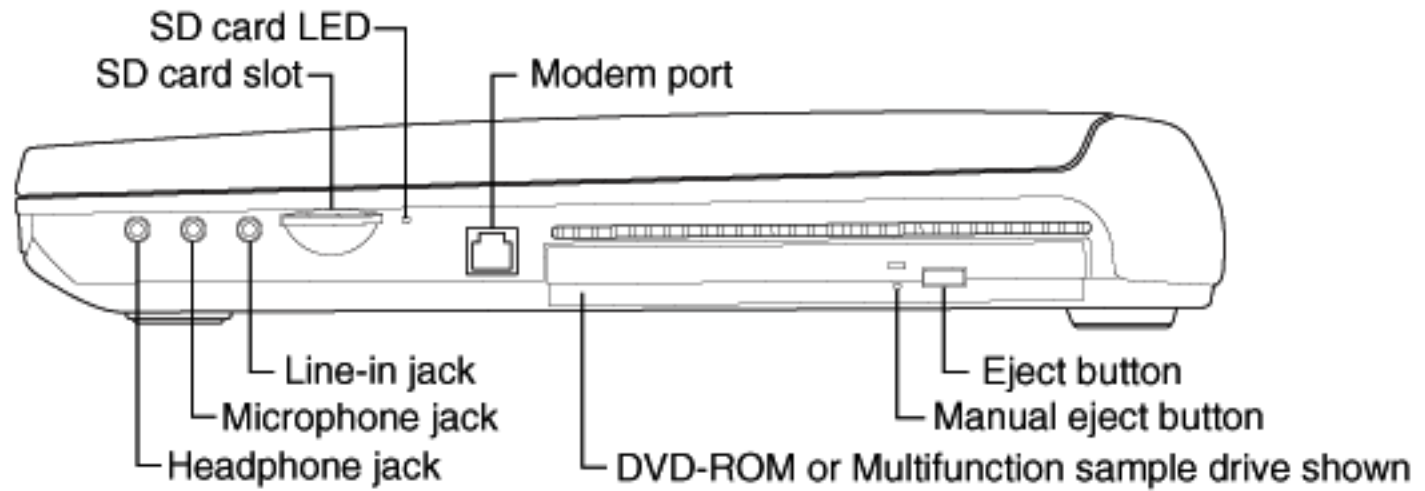
Front with display open



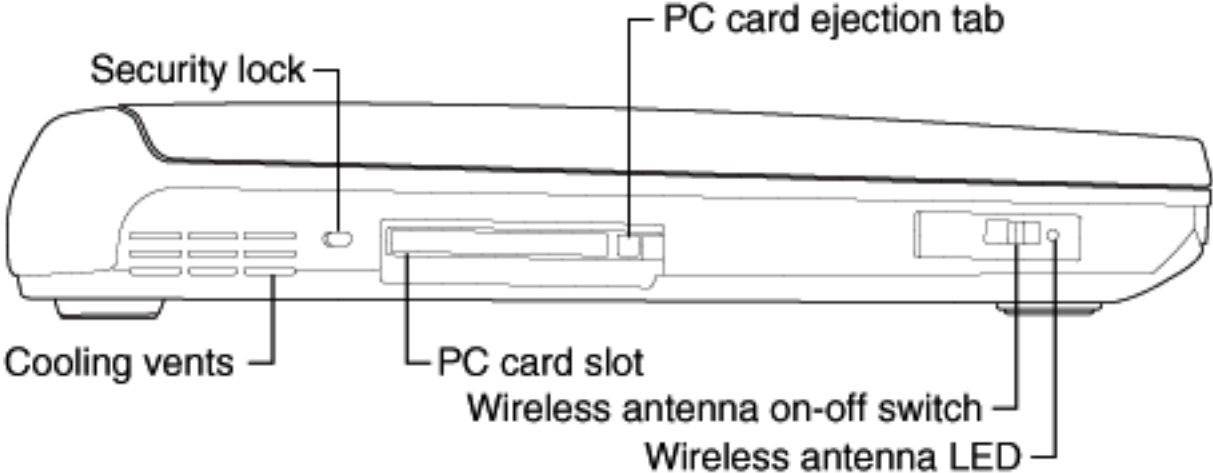
Front with display closed



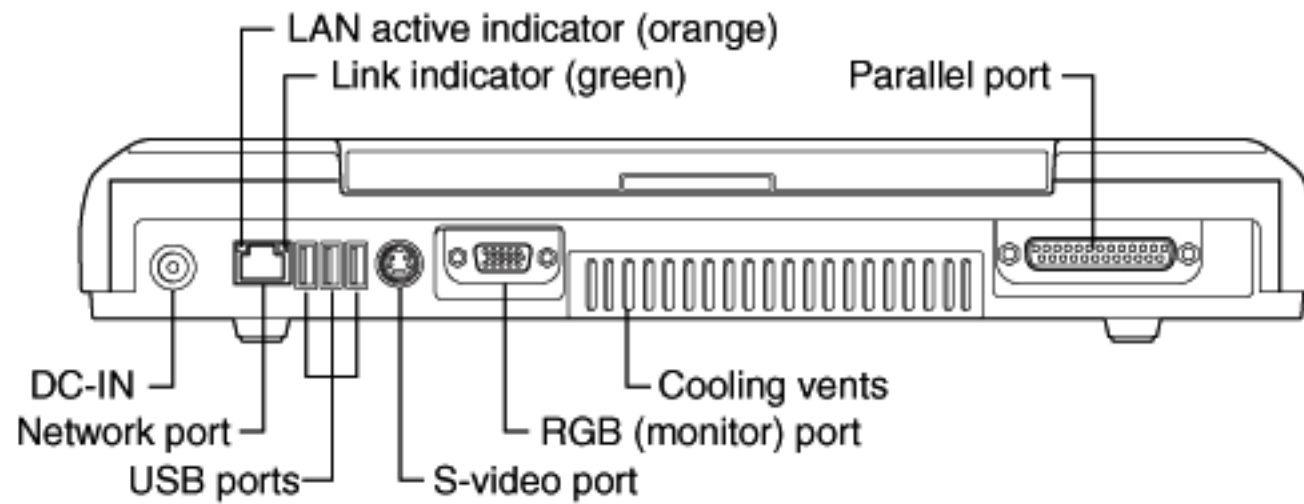
Right side



Left side



Back



Underside

