

Panasonic

ideas for life

PT-L735U
Ultra Portable XGA LCD Projector



Time-Saving Presentations

- Bright
 - High 2600 ANSI lumens brightness
- Time-saving
 - One-touch auto setup
 - Automatic input signal detector
 - Speed Start
 - Direct power off
 - Momentary switch
- Superior sound performance
 - Whisper-quiet operation (28 dB*)
 - Powerful 5W x 2 stereo speakers
- Secure
 - Password and control lock
 - Custom startup screen
 - Text superimposing
- Convenient
 - H/V keystone correction
 - Auto power off
 - RGB2-in/RGB1-out switchable
 - Blackboard mode

* In low lamp power mode

VISUAL
TECHNOLOGIES
CORPORATION
www.visualtec.com

1620 Burnet Avenue
Syracuse, NY 13206
(315) 423-2000 tel
(315) 423-0004 fax
contact@visualtec.com



Designed to Provide Brighter Images and Quicker Operation

The Panasonic PT-L735U boasts an advanced optical engine that delivers brightness of 2600 ANSI lumens - best in the class. This outstanding performance is complemented by a design and features that make it easy for anyone to use the PT-L735U, with quick response from setup before the presentation to packing up afterward. Thanks to the built-in stereo speaker boxes, you also get a clear, powerful sound.

Choose the PT-L735U when you want a projector that gives you more comfortable operation and less wasted time.



Bright

2600 ANSI Lumens Brightness

A new, high-efficiency optical system featuring 0.9-inch LCD panels with a Micro Lens Array (MLA) combines with a 200W UHM lamp to deliver brightness of 2600 ANSI lumens. The brightness is highly uniform too, at 90%.

Time-Saving

Speed Start

Speed Start slashes the time it takes to get your presentation under way. The image appears less

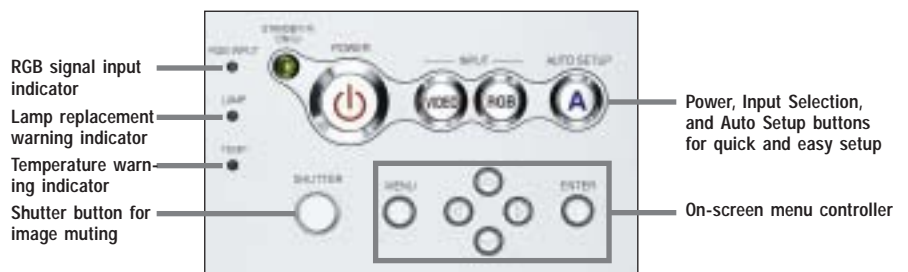
than 10 seconds after you press the power button—about 1/4 to 1/6 the time of previous projectors.* Behind this breakthrough is Panasonic's high-precision lamp and lamp power supply—an advantage made possible by our advanced production technology.

* Compared with previous Panasonic models

One-Touch Auto Setup

One-Touch Auto Setup with digital keystone correction means quicker setup with less time and trouble. The projector handles all image adjustments, from phasing and dot clocks to vertical and horizontal position. The vertical digital keystone correction is also done automatically.

Neatly Arranged Controls on the Top



Auto Search

The input signal will be detected and selected automatically when the Input Select button (either RGB or VIDEO) is pressed for a few seconds.

Momentary Switching

This shortens the time it takes to project images after the Input Selector button (RGB or Video) is pressed to switch sources between RGB signals and Video signals.

RGB Input Indication

The RGB INPUT indicator illuminates whenever the projector is receiving a signal from the PC. This helps simplify troubleshooting when there's a problem. For example, if the PC is connected but the RGB INPUT indicator is not illuminated, you know right away there's a problem with the PC settings.

Automatic Input Signal Detector

The PT-L735U's automatic signal detector also handles the entire re-setup procedure for you if the input signal changes. In other words, once you've used the One-Touch Auto Setup function at the start of your presentation, you can connect different PCs without any further adjustment—you don't even have to press the auto setup button each time.

Direct Power Off

When the presentation is done, Direct Power Off lets you turn off and move the projector right away* because the cooling fan keeps operating until the lamp is cooled. For fixed installation systems, this means you can turn off the room's main power without waiting for the projector to cool down.

* Note: The projector cannot be placed into a carrying bag until the cooling fan stops operating.

Superior Sound Performance

Whisper-Quiet Operation—28 dB

Thanks to a new cooling system, the PT-L735U operates at a whisper-quiet 28 dB in low lamp mode and 30 dB in high lamp mode.

Powerful 5W x 2 Stereo Speakers

Your presentations will sound better than ever. The PT-L735U takes a big step forward in sound performance with two powerful, 5W stereo speakers with a bass-reflex sound system. This means, for example, that every student in a large classroom can

The PT-L735U's stereo speakers are positioned on the right and left of the projector. One speaker is built into a special box and includes bass-reflex duct with its phase optimally adjusted to deliver rich, clear low to mid-range sounds.



hear the presentation without your connecting an extra amp and speaker system.* Select either normal or voice mode for your presentation.

* Sound conditions vary depending on room size, acoustics, and the surrounding environment.

Secure

Anti-Theft Features

The PT-L735U is designed with effective anti-theft features, including a user password, control panel lock, custom startup screen and text imposing. It also has a security lock slot compatible with the Kensington MicroSaver® cable.

User Password



When the projector power is turned on, a screen appears prompting you to enter the password.

Unless the correct password is input, nothing but the power button can be operated. The password can be changed as desired.

Control Panel Lock

Using a setting on the on-screen menu, you can disable the operation of all of the controls on the projector. This setting can only be canceled with the supplied wireless remote control. By simply storing the projector and remote control separately, you can thus prevent unauthorized use.

Custom Startup Screen



Using the arrow buttons, you can move the capturing frame to capture your desired area.

Choose an image—such as your company logo or a favorite picture stored in your PC—and the PT-L735U can capture and use that image for the startup screen.

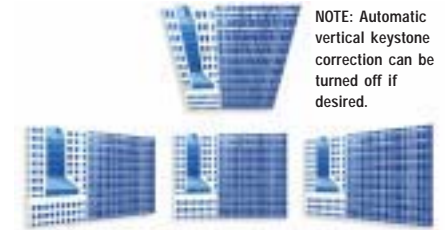
Text Superimposing

You can program a text line to be superimposed on the bottom of the projected image. This helps to deter theft by continually displaying, for example, your company name, URL, or a warning of your choice.

Convenient

Horizontal/Vertical Digital Keystone Correction

The PT-L735U's built-in gravity sensor determines the projector's angle relative to the floor and corrects for vertical keystone distortion accordingly. This is performed automatically as part of the one-touch auto setup function. Horizontal (left/right) keystone correction can be performed manually.



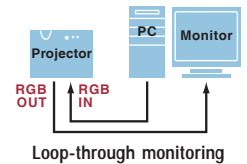
NOTE: Automatic vertical keystone correction can be turned off if desired.

Auto Power Off

This lets you specify a time (from 15 to 60 minutes, in 5-minute steps) after which the projector automatically enters standby mode if unused.

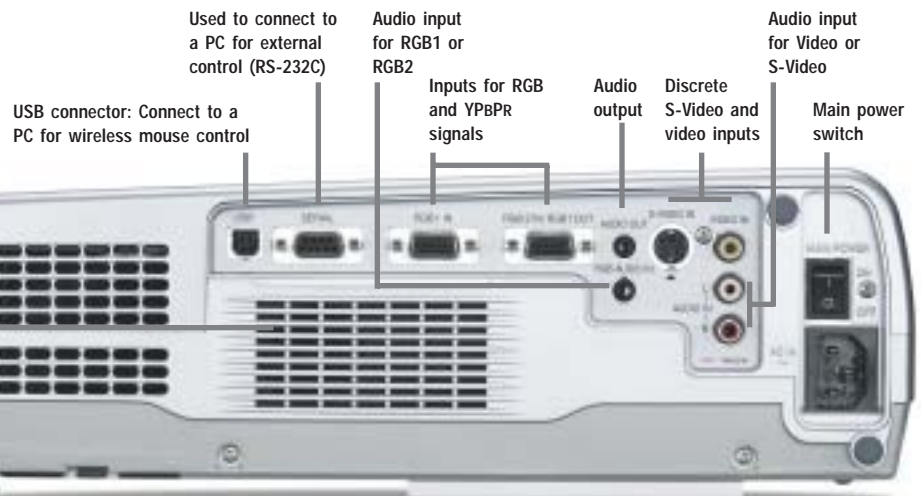
RGB2-In/RGB1-Out Switchable

The PT-L735U accepts up to two RGB inputs (RGB1 and RGB2). The RGB2 terminal can also serve as a loop-through monitoring terminal for the RGB1 input.



More Valuable Features

- HDTV compatibility
- Full compatibility with sRGB color space for accurate color reproduction (in natural mode)
- Color temperature selection (standard/high/low)
- Picture mode selection (standard/dynamic/natural)
- Blackboard mode lets you use an ordinary blackboard as a projection screen
- 3x digital zoom
- Freeze
- Advanced shutter function for image muting
- Selectable 9-language on-screen menu (English, German, French, Spanish, Italian, Russian, Japanese, Chinese, Korean)
- Full-function wireless remote with mouse control and laser pointer
- Ceiling mountable (option)



- Lamp power high/low selection
- Fan control for high elevations (above 4,600 feet/1,400 m)
- Temperature warning indication
- Lamp replacement warning indication
- Built-in carrying handle
- Carrying bag supplied



Supplied full-function wireless remote control with mouse control and laser pointer



Each projector comes supplied with a carrying bag which can be attached to the carrying handle of a piggy/flight bag.



Optional ceiling mount bracket: ET-PK735

Specifications

| | |
|------------------------------------|--|
| LCD Panel | 0.9-inch diagonal (4:3 aspect ratio) x 3, Micro Lens Array (MLA) |
| Pixels | 1024 x 768 x 3 pixels (2,359,296 pixels) |
| Lamp | 200 W UHM™ lamp |
| Brightness*1 | 2600 ANSI lumens |
| Uniformity | 90% |
| Contrast Ratio | 300:1 (full on/full off) |
| Lens | Manual zoom, manual focus, F 1.7–2.1, f 28.7–36.0 mm |
| Image Size (diagonal) | 40–300 / 101.6–762 cm (aspect ratio: 4:3) |
| Throw Distance | 3.9–38.4' / 1.2–11.7 m |
| Optical Shift | 9:1 (fixed) |
| Keystone Correction Range*2 | ±30° vertically ±9° horizontally |
| Video Compatibility | |
| Video YPBPR | NTSC, M-NTSC, PAL, PAL-M, PAL-N, PAL60, SECAM 525i (480i), 625i (576i), 525p (480p), 750p (1080i), 1125i (1080i) |
| Computer Compatibility | VGA, SVGA, XGA, SXGA, UXGA, Mac |
| H-Sync/V-Sync Range | 15–91 kHz, 50–87 Hz |
| Built-in speaker | 5 W + 5 W stereo speakers |
| Terminals | VIDEO IN (RCA x 1) S-VIDEO IN (Mini DIN 4-pin x 1) AUDIO IN (RCA, L x 1, R x 1), for Video or S-Video RGB1 IN (D-sub HD 15-pin x 1) RGB2 IN/RGB1 OUT, switchable (D-sub HD 15-pin x 1) RGB AUDIO IN (M3, L/R x 1), for RGB1 or RGB2 AUDIO OUT (M3, L/R x 1), for Video, S-Video, RGB1 or RGB2 SERIAL (D-sub 9-pin x 1) USB mouse |
| On-Screen Menu | 9 languages (English, French, German, Spanish, Italian, Russian, Chinese, Japanese, Korean) |
| Installation | Ceiling/desk, front/rear (menu selection) |
| Power Supply | 100–240 V AC (auto-voltage), 50/60 Hz |
| Power Consumption | 280 W (standby mode*4: 5 W) |
| Weight | 9.3 lbs/4.2 kg |
| Dimensions (W x H x D)*3 | 9-25/32" x 4-17/32" x 14-5/32" (248 x 115 x 359 mm) |
| Operating Temperature | 0°–40°C (32°–104°F) |
| Operating Humidity | 20%–80% |
| Supplied Accessories | |

- Full-function remote control
- Batteries (AAA x 2) for remote control unit
- Power cord
- RGB cable (3 m/9.9')
- AV cable (3 m/9.9')
- USB cable (3 m/9.9')
- Carrying bag
- Replacement lamp unit: ET-LA735
- Ceiling mount bracket: ET-PK735
- Wide conversion lens: ET-LEC701
- ET-RMRC2: Wireless mouse receiver

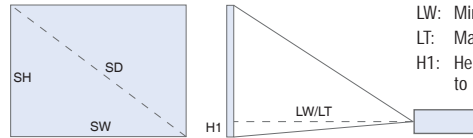
*1 ANSI lumens is the measuring method of the American National Standards Institute IT7.228. Since there is no uniform method of measuring brightness, specifications may vary among manufacturers.

*2 Correction range differs when both vertical and horizontal keystone distortions are corrected at the same time. This also differs depending on input signal.

*3 Not including protruding parts.

*4 With fan stopped.

Projection Distance

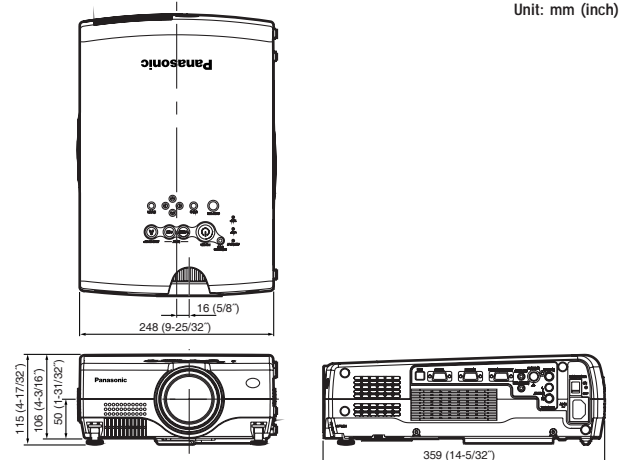


SD: Diagonal image size
SH: Height of projected image
SW: Width of Projected image
LW: Minimum projection distance
LT: Maximum projection distance
H1: Height from the edge of screen to center of lens

| Diagonal image size | Distance to screen | | | |
|------------------------|--------------------|----------------|------------------------------------|-----------------|
| | With supplied lens | | With optional wide conversion lens | |
| | min. | max. | min. | max. |
| 1.01 m / 3'3" / 40" | 1.2 m / 3'11" | 1.5 m / 4'11" | 1.1 m / 3'7" | 1.3 m / 4'3" |
| 1.52 m / 5' / 60" | 1.9 m / 6'2" | 2.3 m / 7'6" | 1.6 m / 5'3" | 2.0 m / 6'7" |
| 2.03 m / 6'7" / 80" | 2.5 m / 7'9" | 3.1 m / 10'2" | 2.2 m / 7'3" | 2.7 m / 8'10" |
| 2.54 m / 8'2" / 100" | 3.1 m / 10'2" | 3.9 m / 12'9" | 2.7 m / 8'10" | 3.4 m / 11'2" |
| 3.05 m / 9'10" / 120" | 3.7 m / 12'2" | 4.7 m / 15'5" | 3.3 m / 10'10" | 4.1 m / 13'5" |
| 3.81 m / 12'6" / 150" | 4.7 m / 15'5" | 5.8 m / 19' | 4.1 m / 13'5" | 5.1 m / 16'9" |
| 5.08 m / 16'8" / 200" | 6.2 m / 20'4" | 7.8 m / 25'7" | 5.5 m / 18'1" | 6.8 m / 22'4" |
| 6.35 m / 20'10" / 250" | 7.8 m / 25'7" | 9.8 m / 32'1" | 6.9 m / 22'8" | 8.6 m / 28'3" |
| 7.62 m / 25' / 300" | 9.4 m / 30'10" | 11.8 m / 38'8" | 8.2 m / 26'11" | 10.3 m / 33'10" |

Image sizes and distances are approximate.

Dimensions



Unit: mm (inch)

Panasonic®

Panasonic Broadcast & Television Systems Company
Presentation Systems Group
800 528 8601
www.panasonic.com/projectors

Headquarters
1 Panasonic Way, 4E-7
Secaucus, NJ 07094
201 348 5300

Panasonic Canada Inc.
5770 Ambler Drive
Mississauga, Ontario
Canada L4W 2T3
905 624 5010

Please contact Panasonic or your dealer for a demonstration.

Weights and dimensions shown are approximate. Specifications subject to change without notice. This product may be subject to export control regulations. UHM is a trademark of Matsushita Electric Industrial Co., Ltd. VGA and XGA are trademarks of International Business Machines Corporation. SVGA is a registered trademark of the Video Electronics Standards Association. All other trademarks are the property of their respective trademark owners.

PT-L735U1-03MAY