

ET-PKD75S

Ceiling Mount Bracket

Description

This ceiling mount bracket is to be used when mounting DLP™-based projectors to the low ceiling.

Specifications

Vertical correction angle:	+5°
Horizontal correction angle:	±2.5°
Dimensions (W x H x D):	478 x 110 x 343 mm (18-13/16" x 4-5/16" x 13-1/2")
Weight:	5.2 kg (11.5 lbs)

Weights and dimensions shown are approximate. Specifications subject to change without notice. Digital Light Processing and DLP are trademarks of Texas Instruments.

Parts

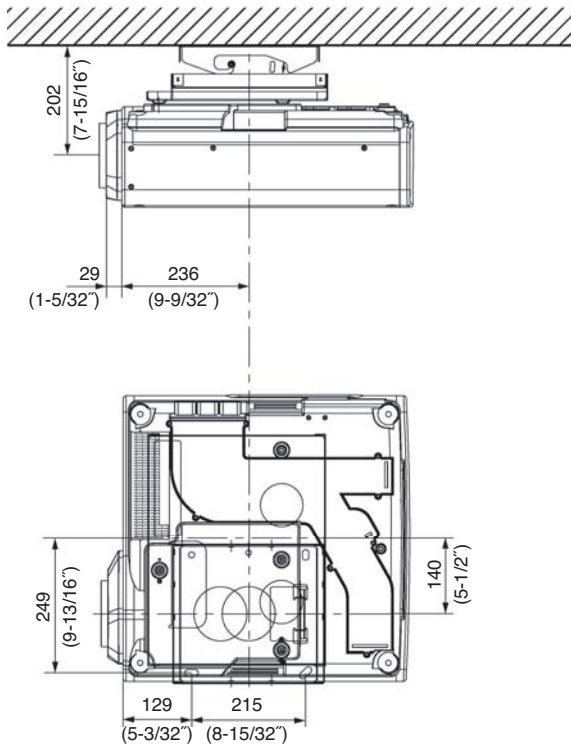
Attachment plate	1	Safety fitting	1
Angle adjuster	1	Washer-fitted screws (M6 x 12)	15
Projector mount bracket	1	Washer-fitted screws (M4 x 8)	4

Caution:

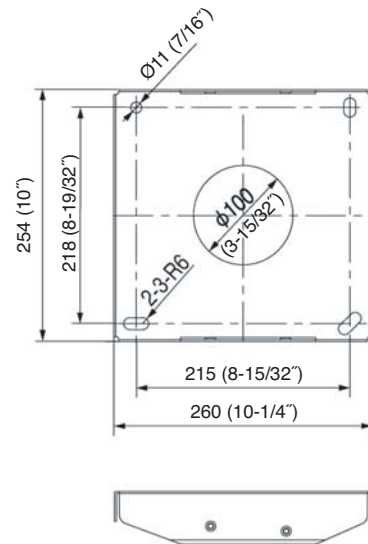
Mounting should be done by a qualified technician. Make sure that the mounting (ceiling) area has sufficient strength. Read the enclosed mounting instructions thoroughly before starting.

Dimensions

The assembled ET-PKD75S with a projector and the ET-D75LE1 optional lens mounted



Attachment Plate



Note: This illustration is not drawn to scale. unit: mm (inch)
(Dimensions given in inches are approximate.)