

Ceiling mount bracket

Description

This ceiling mount bracket is to be used when mounting LCD projectors to the ceiling.

Specifications

Vertical correction angle:	+5°, -20°
Horizontal slant correction angle:	±10°
Horizontal turn correction angle:	±5°
Dimensions (W x H x D):	296 x 296–376 x 215 mm (11-21/32" x 11-21/32"–14-13/16" x 8-15/32")
Weight:	2.3 kg (5.1 lbs.)

Weights and dimensions shown are approximate. Specifications subject to change without notice.

Parts

Attachment plate	1	Safety fitting	2
Projector mount bracket	1	Washer-fitted hexagonal bolts (M6 x 12)	19
Auxiliary mount bracket	1	Washer-fitted screws (M4 x 8)	4
Adjuster pole A	1	Washer-fitted screws (M4 x 12)	4
Adjuster pole B	1		
Angle adjuster A	1		
Angle adjuster B	1		

Caution:

Mounting should be done by a qualified technician. Make sure that the mounting (ceiling) area has sufficient strength. Read the enclosed mounting instructions thoroughly before starting.

Dimensions

Illustration shows the ET-PKB30 attached to the PT-LB20 series projector.

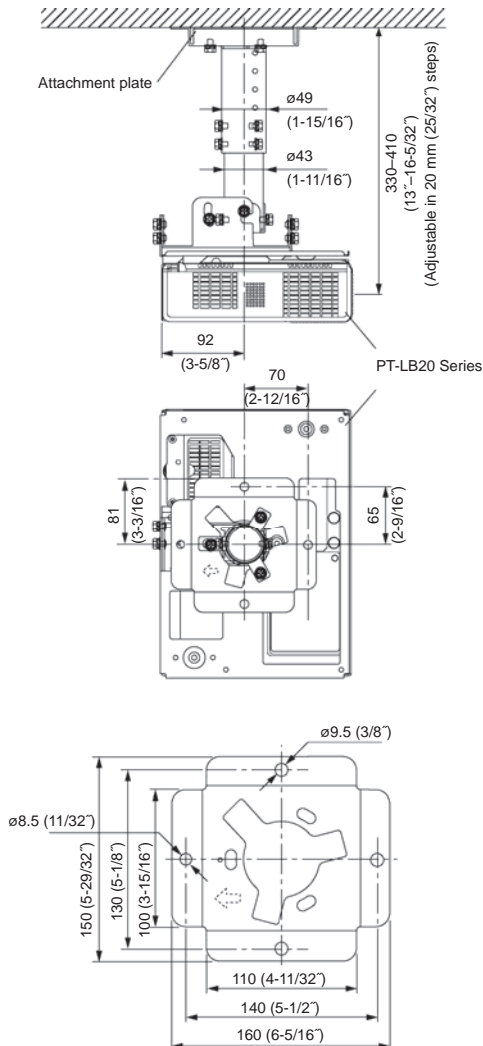
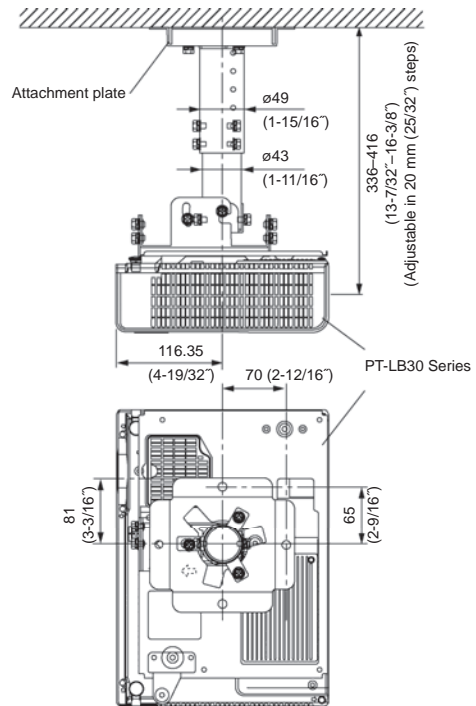


Illustration shows the ET-PKB30 attached to the PT-LB30 series projector.



unit: mm (inch)

Note: This illustration is not drawn to scale.