

Carrying Handle

Description

This carrying handle makes it easy to move DLP™-based projectors, such as the PT-D7600 and others.

Specifications

Dimensions (W x H x D):	578 x 86 x 716 mm (22-3/4" x 3-3/8" x 28-3/16")
Weight:	3.4 kg (7.5 lbs)

Weights and dimensions shown are approximate. Specifications subject to change without notice. Digital Light Processing and DLP are trademarks of Texas Instruments.

Parts

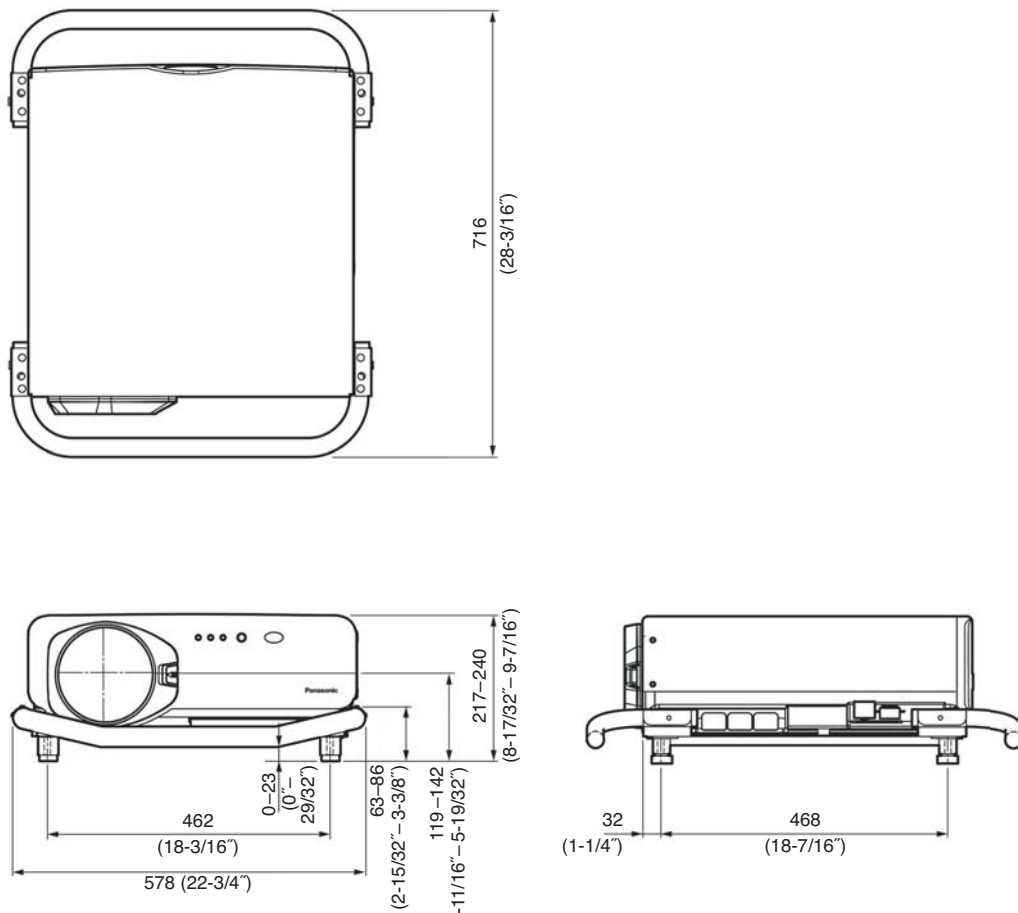
Carrying handle1	Adjuster4
Screws for carrying handle (M8 x 30)	..4	Screws for adjuster (M4 x 12)8

Caution:

Mounting should be done by a qualified technician. Make sure that the mounting (ceiling) area has sufficient strength. Read the enclosed mounting instructions thoroughly before starting.

Dimensions

The ET-HAD75 attached to a projector



Note: This illustration is not drawn to scale.

unit: mm
(Dimensions given in inches are approximate.)