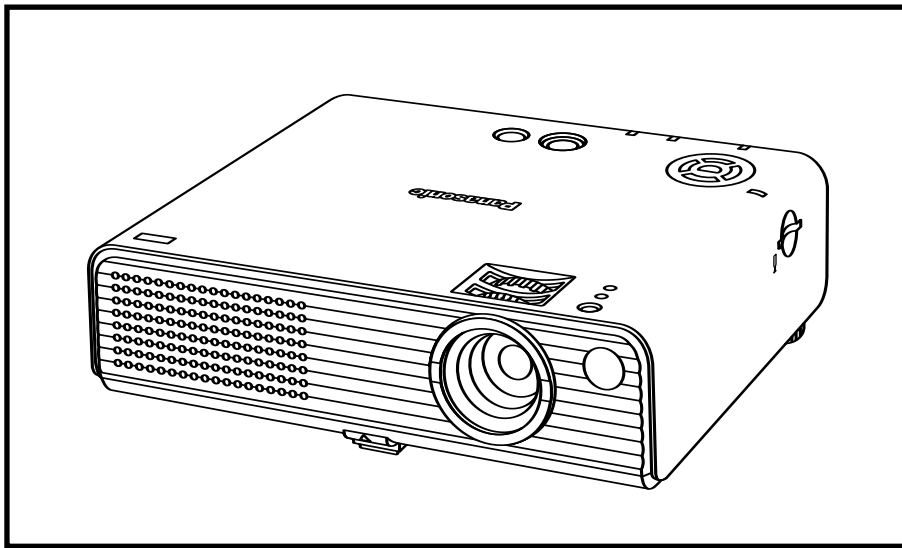


## S P E C F I L E

---

PRODUCT NO.: PT-P1SD

PRODUCT NAME: Digital SD Slide Projector



### MAJOR FEATURES

- The one and only digital SD slide projector\*
  - Built-in digital photo slide shows: direct SD card projection
  - Slide show features:
    - transition effects, favorites, automatic photo rotation
  - PC-free presentations
- The world's smallest and lightest\*—easy portability
  - 1.3 kg (2.9 lbs)
  - 234 x 65 x 188 mm (9-3/16" x 2-17/32" x 7-3/8")
- Quick operation
  - Speed start
  - Auto search
  - Real-time keystone correction
  - Direct power off
  - LED input signal indicator
  - Operation guide
- More valuable features
  - DVD/Video/PC input capability
  - HDTV compatibility
  - Daylight View
  - Security features: SD card key and password control lock

\* For an LCD projector, as of January 2006  
Specifications are subject to change without notice.

## Specifications

Power supply:		100–240 V AC, 50/60 Hz
Power consumption:		180 W (3 W in standby mode with fan stopped)
Amps:		2.2 A–1.0 A
Optical system:		Dichroic mirror separation/prism synthesis system
LCD panel:	Panel size:	0.6" diagonal (4:3 aspect ratio)
	Display method:	Transparent LCD panel (x 3, R/G/B)
	Drive method:	Active matrix
	Pixels:	480,000 (800 x 600) x 3, total of 1,440,000 pixels
	Pixel configuration:	Stripe
Lens:		Manual zoom/focus lens (1:1–1:1.2), F 1.7–1.8, f 17.0–20.4 mm
Lamp:		130 W UHM™ lamp
Screen size:		965–7,620 mm (38–300 inches) diagonally, 4:3 aspect ratio
Throw distance:		1.2–9.9 mm (3'11"–32'5")
Colors:		Full color (16,777,216 colors)
Brightness:		1,500 lumens
Center-to-corner uniformity ratio:		90%
Contrast ratio:		400:1 (full on/full off)
Resolution:	RGB:	800 x 600 pixels (1,600 x 1,200 pixels with compression)
	Video:	600 TV lines (horizontal resolution)
Scanning frequency:	RGB:	Horizontal: 15–91 kHz, Vertical: 50–85 Hz
	YPbPr:	480i (525i): fH 15.75 kHz; fV 60 Hz 576i (625i): fH 15.63 kHz; fV 50 Hz 480p (525p): fH 31.5 kHz; fV 60 Hz 576p (625p): fH 31.25 kHz; fV 50 Hz 720p (750p): fH 45 kHz; fV 60 Hz 1080i (1125i): fH 33.75 kHz; fV 60 Hz 1080i (1125i): fH 28.125 kHz; fV 50 Hz
	S-Video/Video:	fH 15.75 kHz; fV 60 Hz (NTSC, NTSC 4.43, PAL-M, PAL 60) fH 15.63 kHz; fV 50 Hz (PAL, SECAM, PAL-N)
Optical axis shift:		4:1 (fixed)
Keystone correction range:		Vertical: approx. ±30°
On-screen menu		Selectable languages: English, French, German, Spanish, Italian, Swedish, Norwegian, Danish, Portuguese, Polish, Hungarian, Czech and more (selectable languages vary depending on country and region)
Installation:		Ceiling/desk, front/rear (menu selection)
Built-in speakers:	Size:	2.0 cm x 1, round
	Output power:	0.5 W (monaural)
Terminals:	PC IN:	D-sub HD 15-pin (female) x 1
	RGB signal	G: 0.7 Vp-p (1.0 Vp-p for Sync on G), 75 Ω R, B: 0.7 Vp-p, 75 Ω
	YPbPr signal	HD, VD/SYNC: TTL, high impedance (positive/negative polarity) Y: 1.0 Vp-p (including sync signal), 75 Ω Pb, Pr: 0.7 Vp-p, 75 Ω
	VIDEO IN:	RCA pin x 1, 1.0 Vp-p, 75 Ω
	S-VIDEO IN:	Mini DIN 4-pin x 1, Y: 1.0 Vp-p, C: 0.286 Vp-p, 75 Ω
	AUDIO IN:	RCA (L, R) x 1, 0.5 Vrms, for PC/VIDEO/S-VIDEO
SD memory card slot:		x 1, still images: JPEG/EXIF2.1 compliant, motion images: QuickTime Motion JPEG

## Mobile SD Projector

Power cord length:	2 m (6'6")
Cabinet material:	Moulded plastic (ABS/PC)
Dimensions (W x H x D):	234 x 65 x 188 mm (9-3/16" x 2-17/32" x 7-3/8") (protrusions not included)
Weight:	1.3 kg (2.9 lbs.)
Operating environment:	Temperature: 0°–40°C (32°–104°F) Humidity: 20%–80% (no condensation)
Remote Control Unit:	Power supply: 3 V DC (Lithium CR2025 battery x 1) Operation range: Approx. 7 m when operated from directly in front of the signal receptor Dimensions (W x H x D): 54 x 86 x 8 mm (2-1/8" x 3-3/8" x 5/16") Weight: 18 g (0.63 oz.) (including a battery)
Supplied accessories:	Power cord, Wireless remote control, Button battery for remote control, RGB cable (1.8 m/5'11"), Soft case
Optional accessories:	Replacement lamp unit: ET-LAP1 Ceiling mount bracket: ET-PKP1

Weights and dimensions shown are approximate.  
Specifications are subject to change without notice.

### Projecting Images from an SD Memory Card

The PT-P1SD can display the following kinds of still images on an SD card:

- Exif2.2 JPEG images that conform with DCF (Design Rules for Camera File System).
- JPEG files created from Microsoft® PowerPoint® files using Panasonic Image Creator 1.5 conversion software.

### The PT-P1SD can display the following kind of moving pictures on an SD card:

- QuickTime Motion JPEG files recorded with a Panasonic LUMIX digital camera.

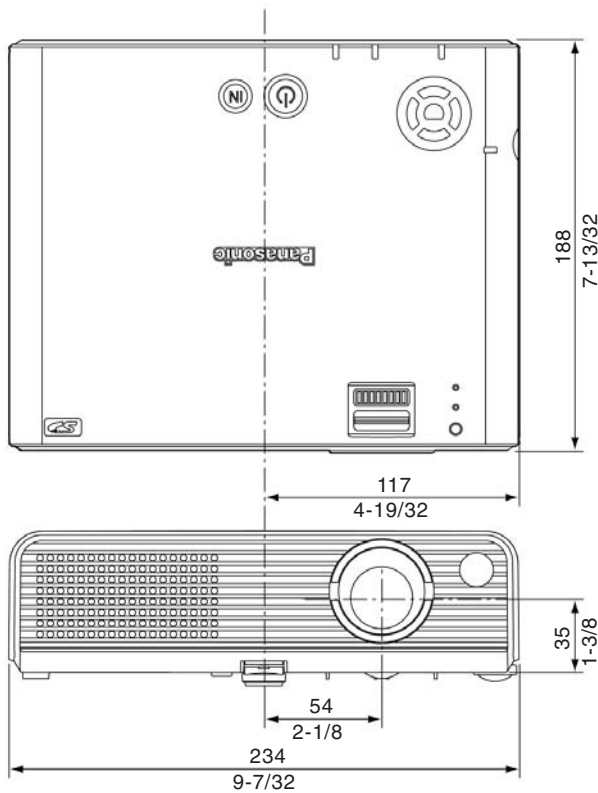
SD logo is a trademark.

UHM is a trademark of Matsushita Electric Industrial Co., Ltd.

Windows and PowerPoint are either registered trademarks or trademarks of Microsoft Corporation in the United States and/or other countries.

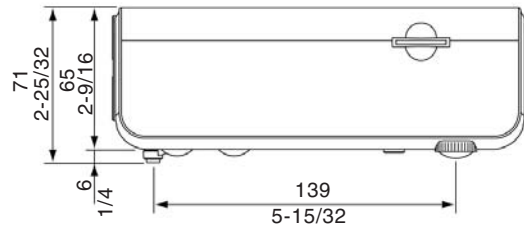
All other trademarks are the property of their respective trademark owners.

**Dimensions**

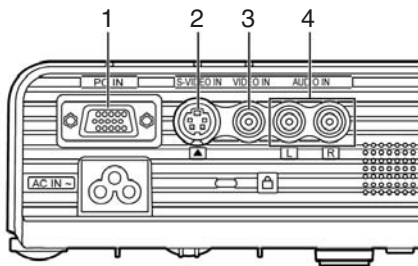


unit: mm / inch

Note: This illustration is not drawn to scale.

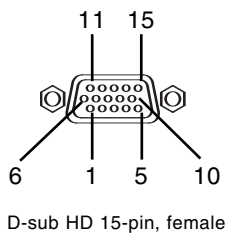


**Terminals**



- 1 PC (RGB) input
- 2 S-Video input
- 3 Video input
- 4 Audio input (L/R)

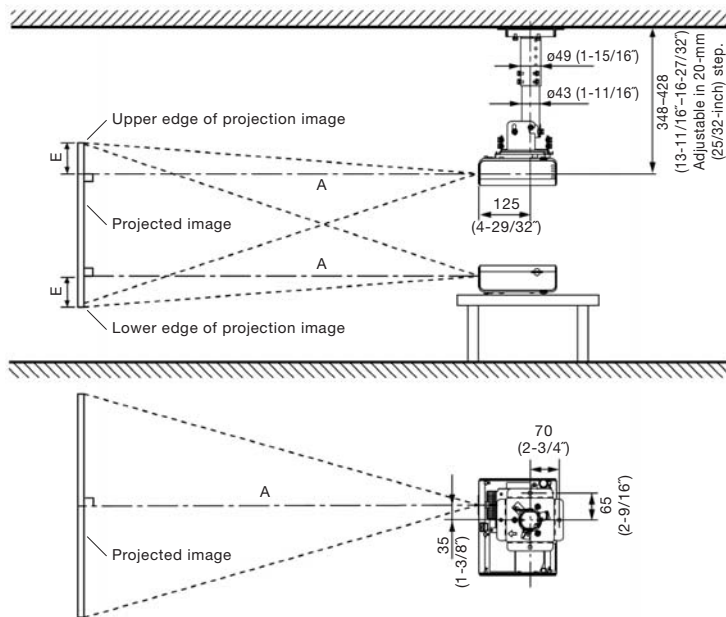
**PC (RGB) IN connector pin assignment**



no.	signal	no.	signal	no.	signal
1	R/PR	6	GND	11	NC
2	G/Y	7	GND	12	SDA*
3	B/PB	8	GND	13	HD/SYNC
4	NC	9	NC	14	VD
5	GND	10	GND	15	SCL*

\* Effective when connected to a PC having proper functions.

**Standard setting-up positions**



unit: mm (inch)

A: Distance to screen  
E: Height from the edge of screen to center of lens

**NOTE:**  
Illustrations show the projector installed using optional ceiling bracket.  
This illustration is not drawn to scale.

Diagonal image size (4:3 aspect ratio)	Distance to screen*			Height from the edge of screen to center of lens
	min.	recommended	max.	
40" / 1.02 m / 3.2'	-	-	1.2 m / 3.11"	13 cm / 5-3/32"
45" / 1.14 m / 3.8'	1.3 m / 4'3"	1.4 m / 4'7"	1.4 m / 4'7"	15 cm / 5-7/8"
50" / 1.27 m / 4.2'	1.4 m / 4'7"	1.6 m / 5'2"	1.6 m / 5'2"	17 cm / 6-11/16"
60" / 1.52 m / 4.9'	1.7 m / 5'6"	1.9 m / 6'2"	1.9 m / 6'2"	20 cm / 7-27/32"
70" / 1.78 m / 5.8'	2.0 m / 6'6"	2.2 m / 7'2"	2.2 m / 7'2"	23 cm / 9-1/32"
80" / 2.03 m / 6.7'	2.3 m / 7'6"	2.6 m / 8'6"	2.6 m / 8'6"	26 cm / 10-7/32"
90" / 2.29 m / 7.5'	2.5 m / 8'2"	2.9 m / 9'6"	2.9 m / 9'6"	30 cm / 11-25/32"
100" / 2.54 m / 8.3'	2.8 m / 9'2"	3.2 m / 10'5"	3.2 m / 10'5"	33 cm / 12-31/32"
120" / 3.05 m / 10.0'	3.4 m / 11'1"	3.9 m / 12'9"	3.9 m / 12'9"	40 cm / 15-23/32"
150" / 3.81 m / 12.5'	4.2 m / 13'9"	4.9 m / 16'	4.9 m / 16'	50 cm / 19-21/32"
200" / 5.08 m / 16.7'	5.6 m / 18'4"	6.6 m / 21'7"	6.6 m / 21'7"	66 cm / 25-31/32"
250" / 6.35 m / 20.8'	7.0 m / 22'11"	8.2 m / 26'10"	8.2 m / 26'10"	83 cm / 32-21/32"
300" / 7.62 m / 25.0'	8.4 m / 27'6"	9.9 m / 32'5"	9.9 m / 32'5"	99 cm / 38-31/32"

\* This distance is especially recommended for ceiling-mounted use and other permanent installations.

**NOTE:** Values shown are approximate.  
The value for A (distance to screen) varies slightly depending on the zoom lens characteristics.  
When the shortest projection distance (min.) is used, a small amount of distortion may occur in the image due to the zoom lens characteristics.

**Calculation of the projection distance**

For a screen size different from the above, use the equation below to calculate the projection distance.

Aspect ratio 4 : 3	
minimum	$L (m) = (\text{diagonal screen size in inches}) \times 0.0281 - 0.042$
maximum	$L (m) = (\text{diagonal screen size in inches}) \times 0.0333 - 0.043$
Aspect ratio 16 : 9	
minimum	$L (m) = (\text{diagonal screen size in inches}) \times 0.0306 - 0.042$
maximum	$L (m) = (\text{diagonal screen size in inches}) \times 0.0364 - 0.043$

**Computer data compatibility**

This projector accepts up to 91 kHz horizontal scanning frequency and 162 MHz dot clock.

**NOTE:** The projector is not fully compatible with RGB signals of which dot clock is higher than 100 MHz.  
The display resolution of this projector is 800 x 600 pixels. If the display resolution indicated in the above data does not match this resolution, the input signal will be converted to 800 x 600 pixels.