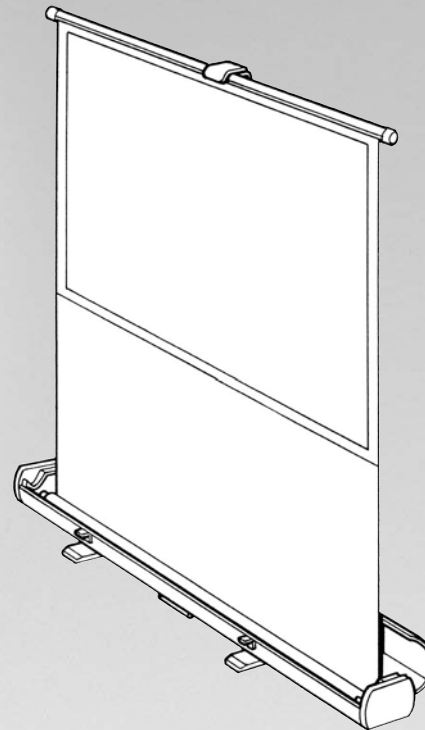


*Instruction Book For  
60"/80" Deluxe Insta-Theater  
Screen*



*The*  
**POWER** *In*  
**PRESENTATION PRODUCTS**

**VISUAL  
TECHNOLOGIES**  
CORPORATION  
[www.visualtec.com](http://www.visualtec.com)  
1620 Burnet Avenue  
Syracuse, NY 13206  
(315) 423-2000 tel  
(315) 423-0004 fax  
[contact@visualtec.com](mailto:contact@visualtec.com)



**DA-LITE SCREEN COMPANY, INC.**

3100 North Detroit Street  
Post Office Box 137  
Warsaw, Indiana 46581-0137  
Phone: 219/267-8101  
800-622-3737  
Fax: 219/267-7804  
[http:// www.da-lite.com](http://www.da-lite.com)  
e-mail: [info@da-lite.com](mailto:info@da-lite.com)

## INTRODUCTION

Thank you for purchasing this Da-Lite product. Before attempting to use it, make sure to carefully read the contents of these instructions.

## CAUTION!

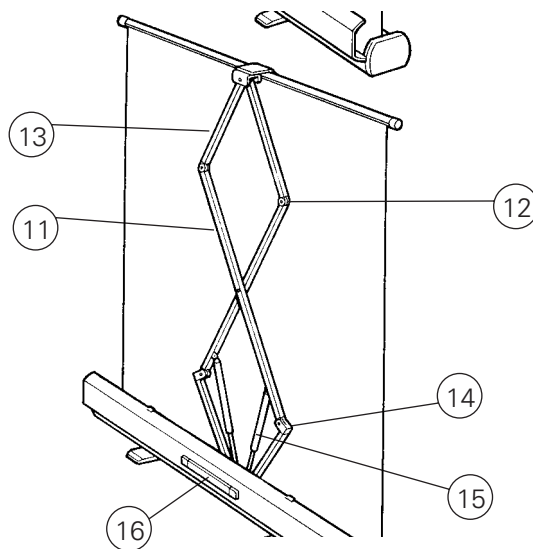
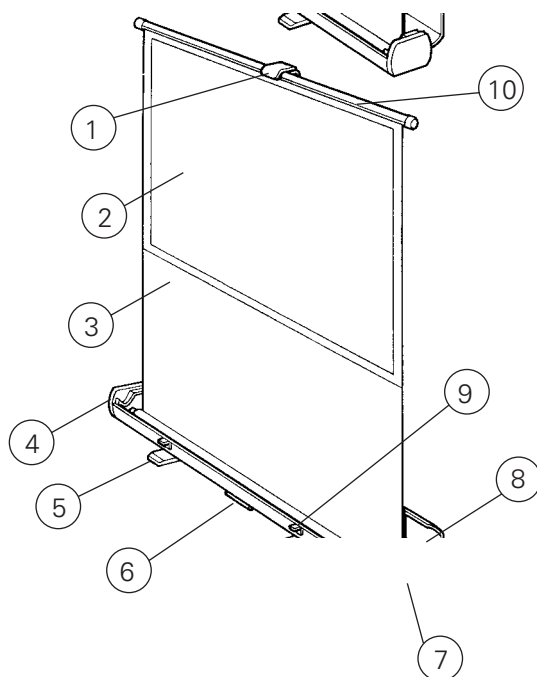
1. Avoid touching the films during raising or lowering of unit.
2. Do not set up the screen on an unstable or uneven surface. This may cause the screen to fall or tip over, resulting in damage to the screen or personal injury. Be especially careful when setting up at home where small children may be present.
3. When screen is not in use and retracted, use the built-in feet to stabilize it on a flat surface. Standing the screen on one of its ends creates the risk of falling over, and should be avoided.
4. Do not hang or attach items to the screen.

## CARE OF SCREEN

1. Do not leave the screen in areas subject to direct sunlight.
2. Keep the projection surface of the screen free from dirt and dust, which can interfere with the quality of the projected image. If the screen becomes dirty, lightly wipe it off with soft cloth moistened in a weak, 20 to 1 solution of a mild neutral detergent and water. Benzine, thinner, and other volatile agents can cause permanent damage to the screen and should never be used for cleaning.
3. Do not set up the screen in areas subjected to strong breeze. This may cause the screen to move and interfere with the quality of the projected image.

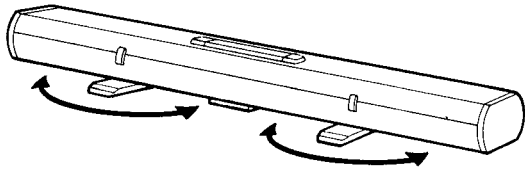
## PARTS IDENTIFICATION

- |                  |                     |
|------------------|---------------------|
| 1. Slat handle   | 10. Slat            |
| 2. Screen film   | 11. Long arm        |
| 3. Skirt film    | 12. Upper arm hinge |
| 4. Left end cap  | 13. Short arm       |
| 5. Rotating foot | 14. Lower arm hinge |
| 6. Bottom case   | 15. Air shock       |
| 7. Right end cap | 16. Case handle     |
| 8. Case cover    |                     |
| 9. Case latch    |                     |



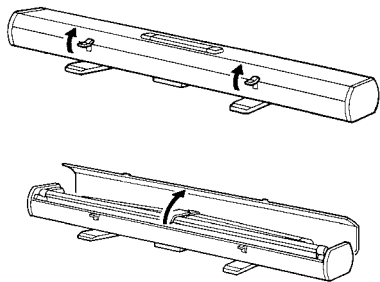
## SETTING UP THE SCREEN

1. Rotate feet until they are perpendicular with the case.

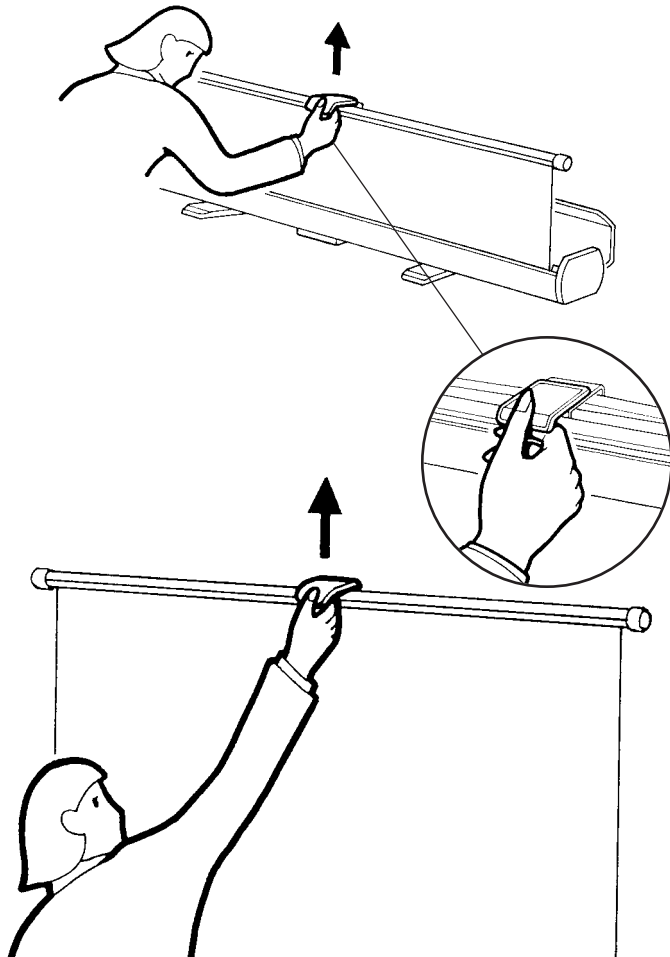


2. Release the latches and open the case cover.

**Note:** Push lightly down on the center of the case to release the latches.

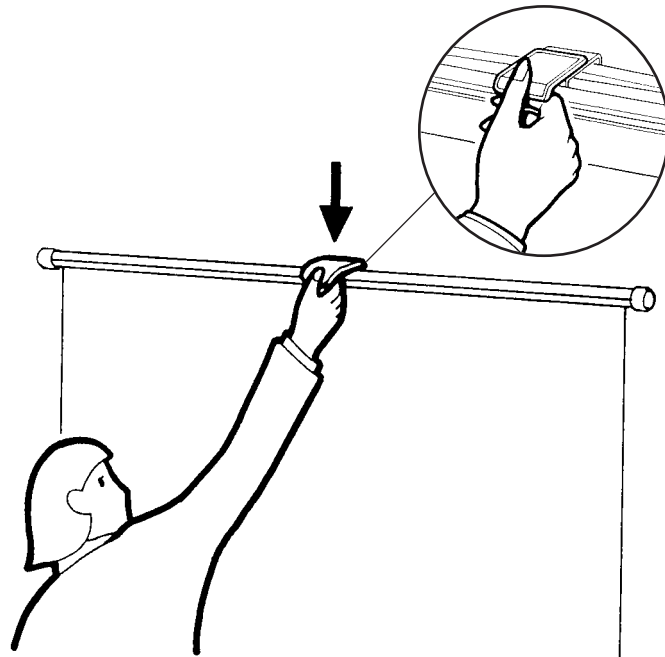


3. Grasp the Slat Handle and raise the screen slowly, keeping the slat level as you raise the screen.

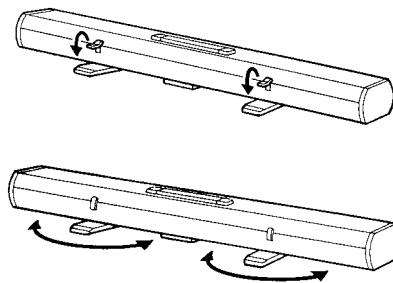


## STORING THE SCREEN

4. Grasp the Slat Handle and lower the screen slowly back into the case. Make sure you hold onto the handle and keep the slat level as you lower the screen back into the case.



5. Close the case cover and latch it. It may be necessary to press down on the case top to get the latches to engage properly.



**Note:** Before carrying the case, rotate the feet, so they are out of the way.

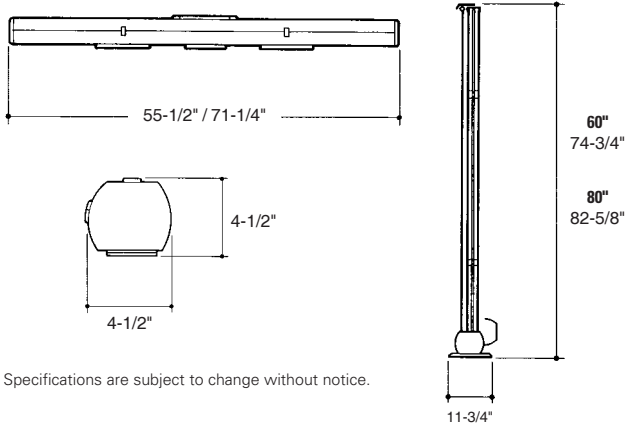
### **WARNING**

When storing the screen, be sure that you protect it from falling. Leaning the case against a wall or other surface creates the danger of falling over.

## SPECIFICATIONS

Dimensions: see drawing

	60"	80"
Shipping dimensions:	6-1/4" x 7" x 61-1/2"	6-1/4" x 7" x 77-1/8"
Weight of unit:	14.0 Lbs.	16.4 Lbs.
Shipping weight:	17.3 Lbs.	20.4 Lbs.



Note: Specifications are subject to change without notice.